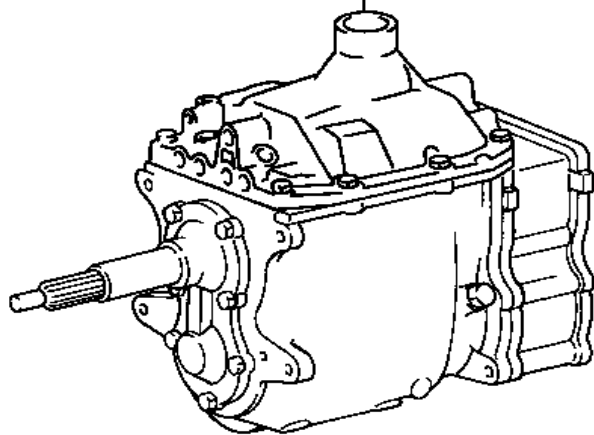
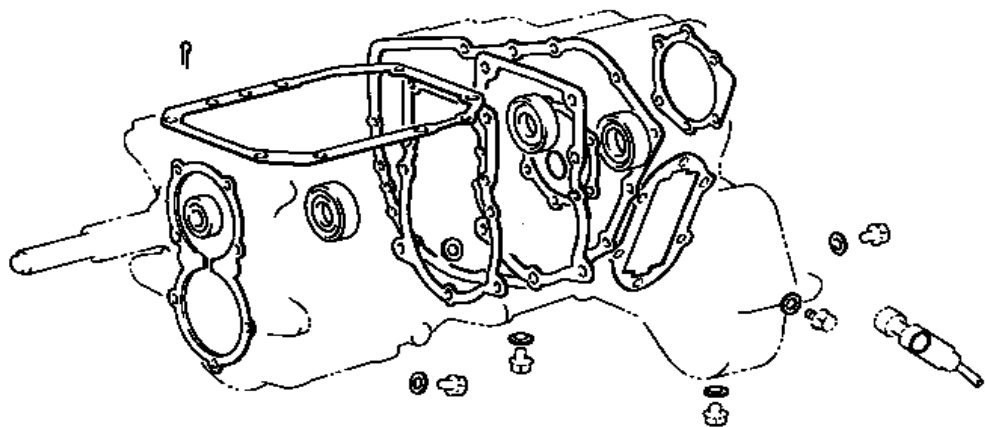
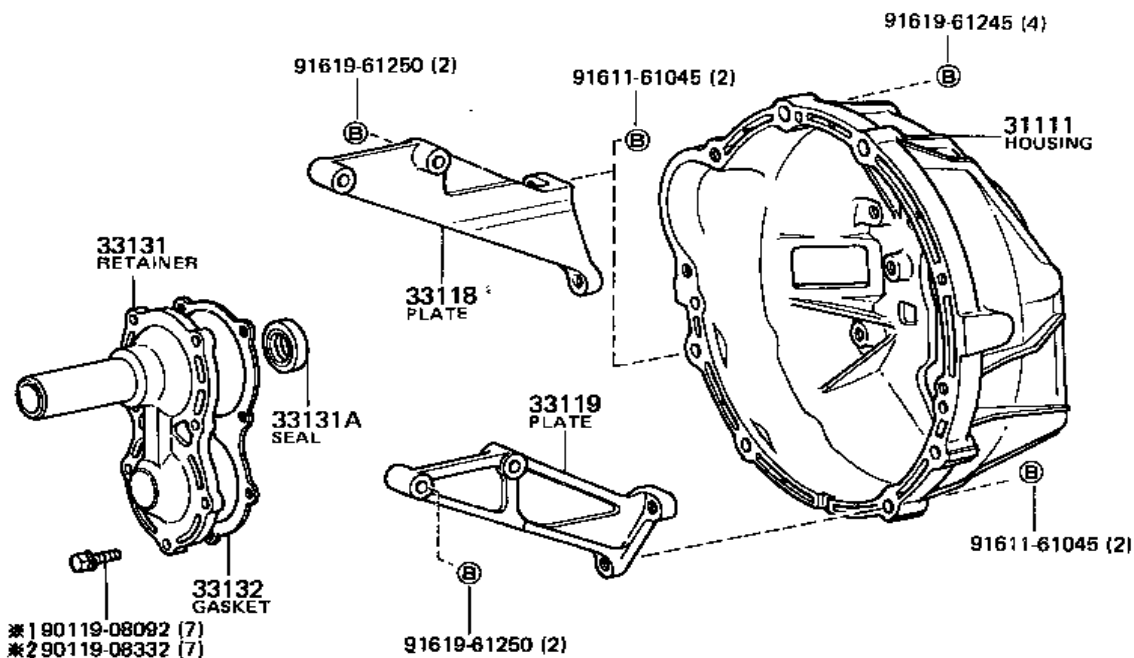


33110  
TRANSMISSION

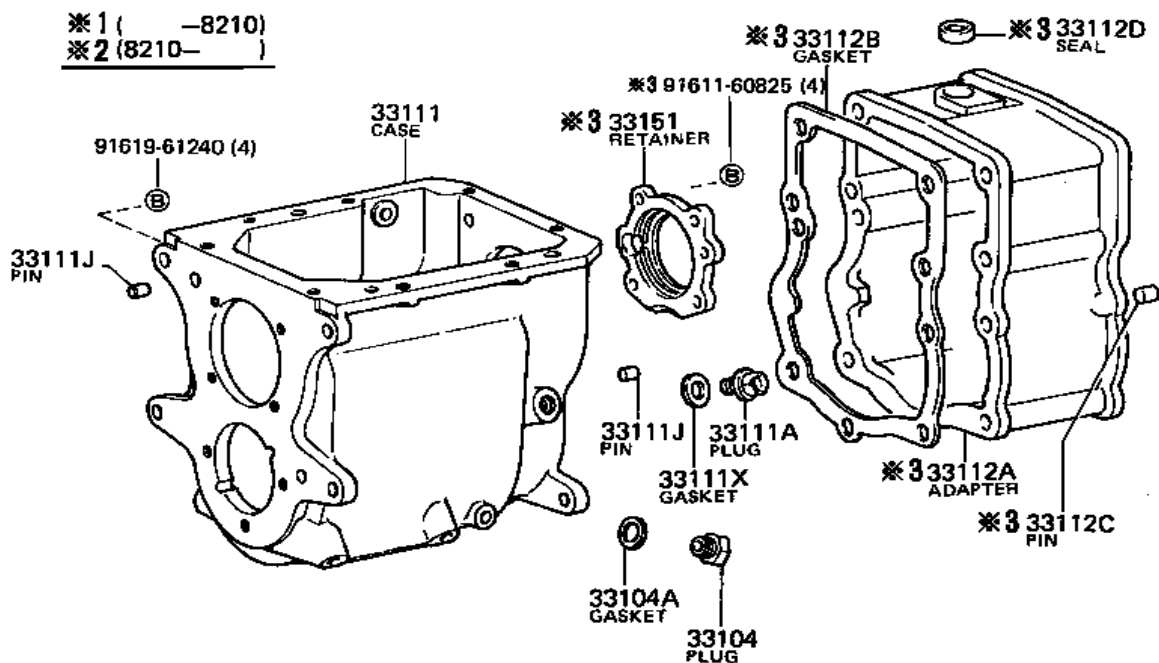


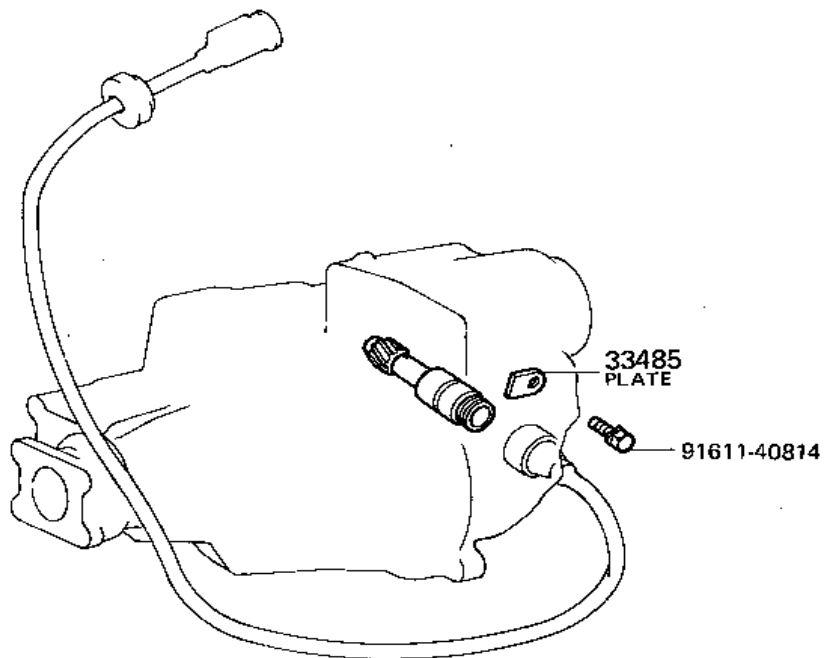
04331  
GASKET KIT



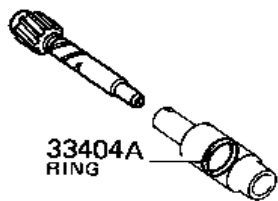


**\*3 5F**

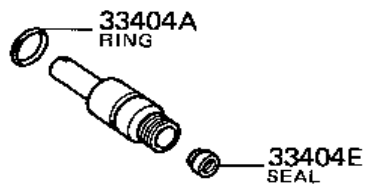


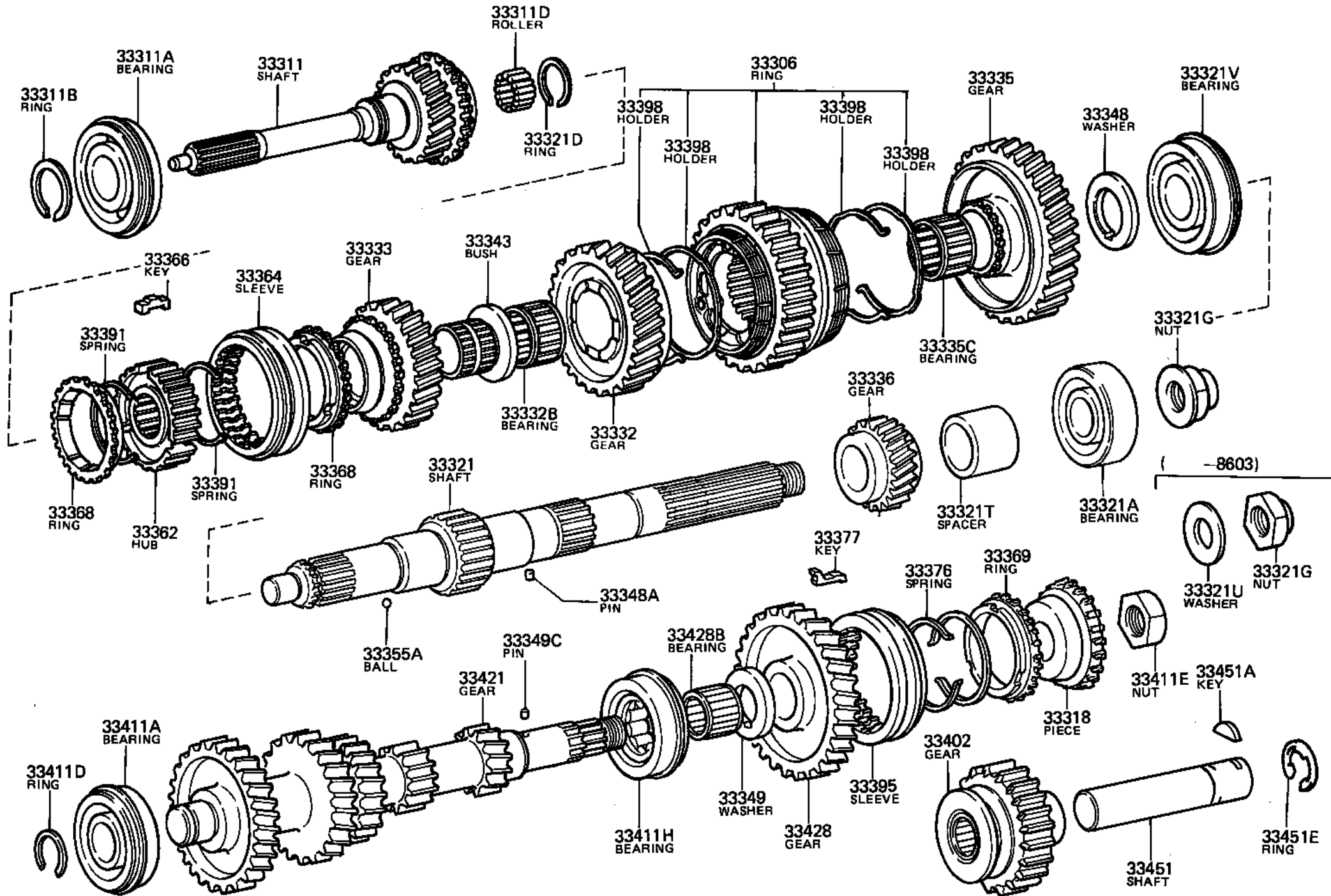


33403  
GEAR



33404  
SLEEVE







33504F  
KNOB

(8404 )

33530F  
LEVER

33530F

33555  
BOOT

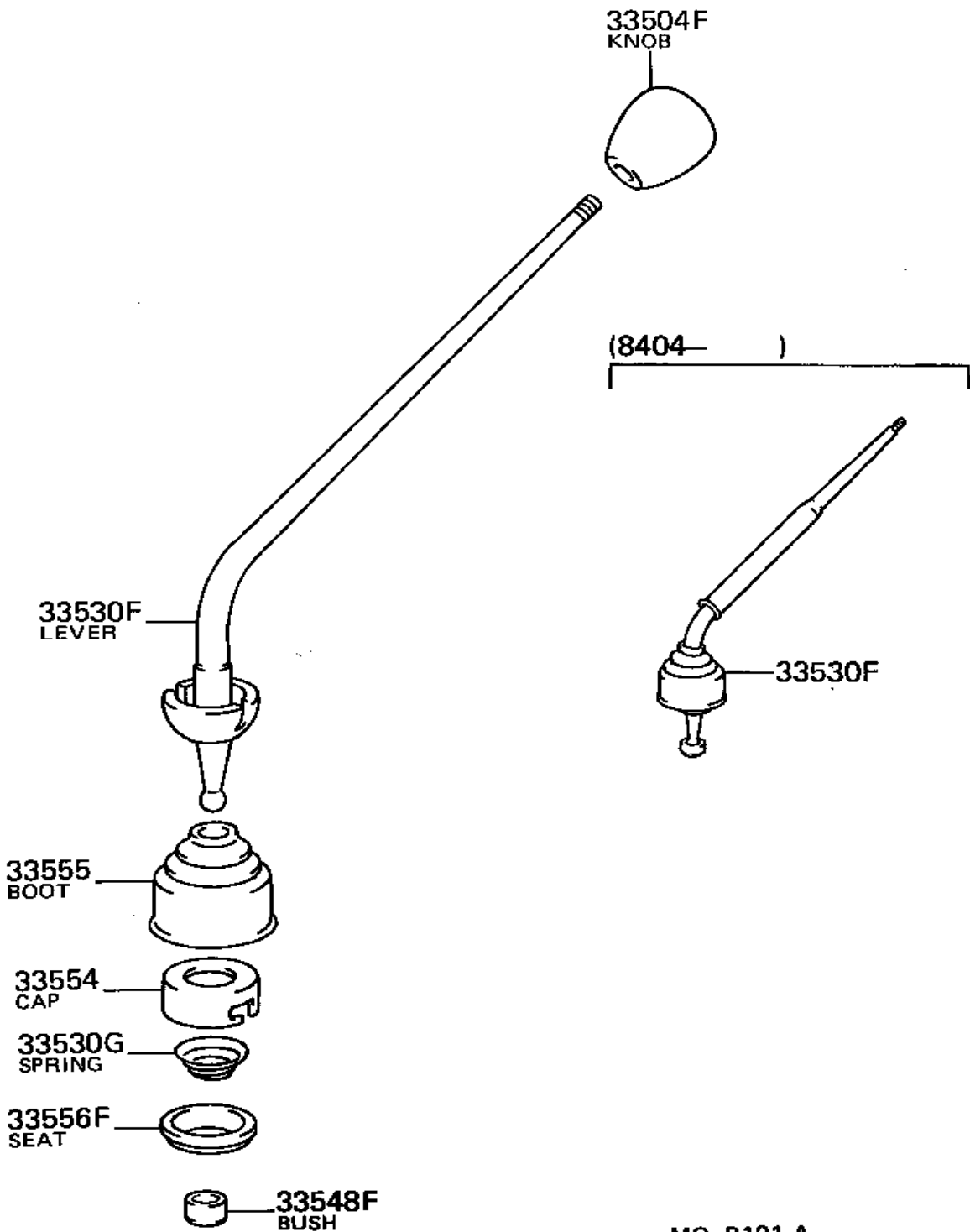
33554  
CAP

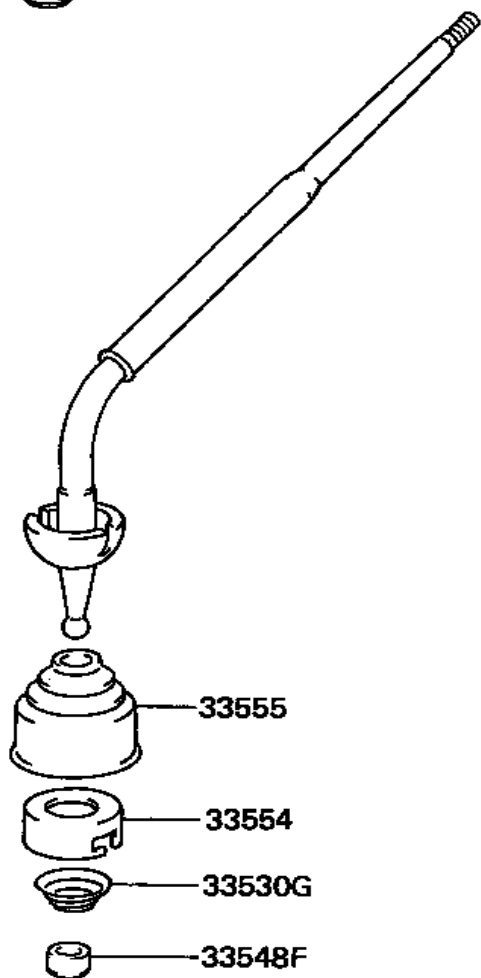
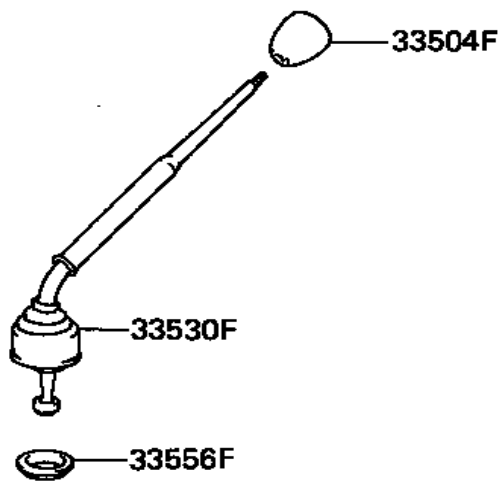
33530G  
SPRING

33556F  
SEAT

33548F  
BUSH

MC B191-A



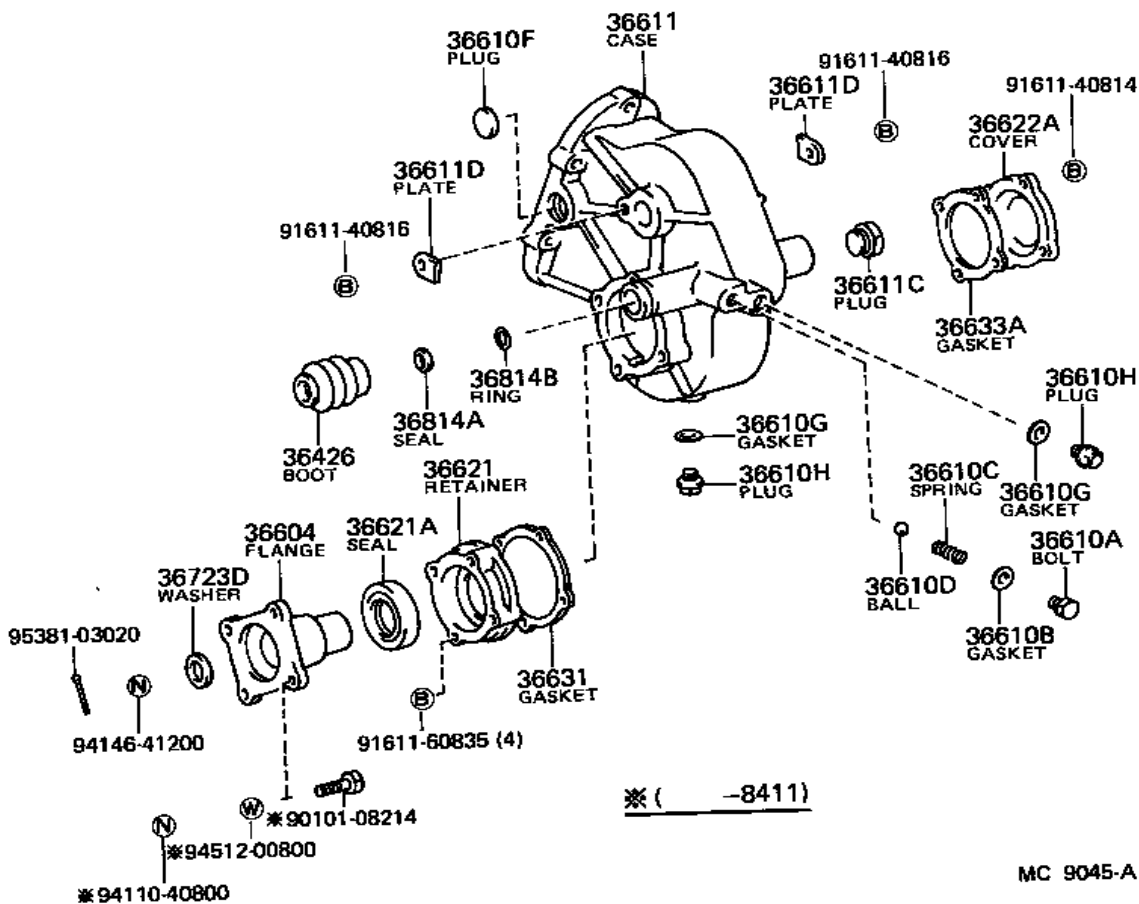


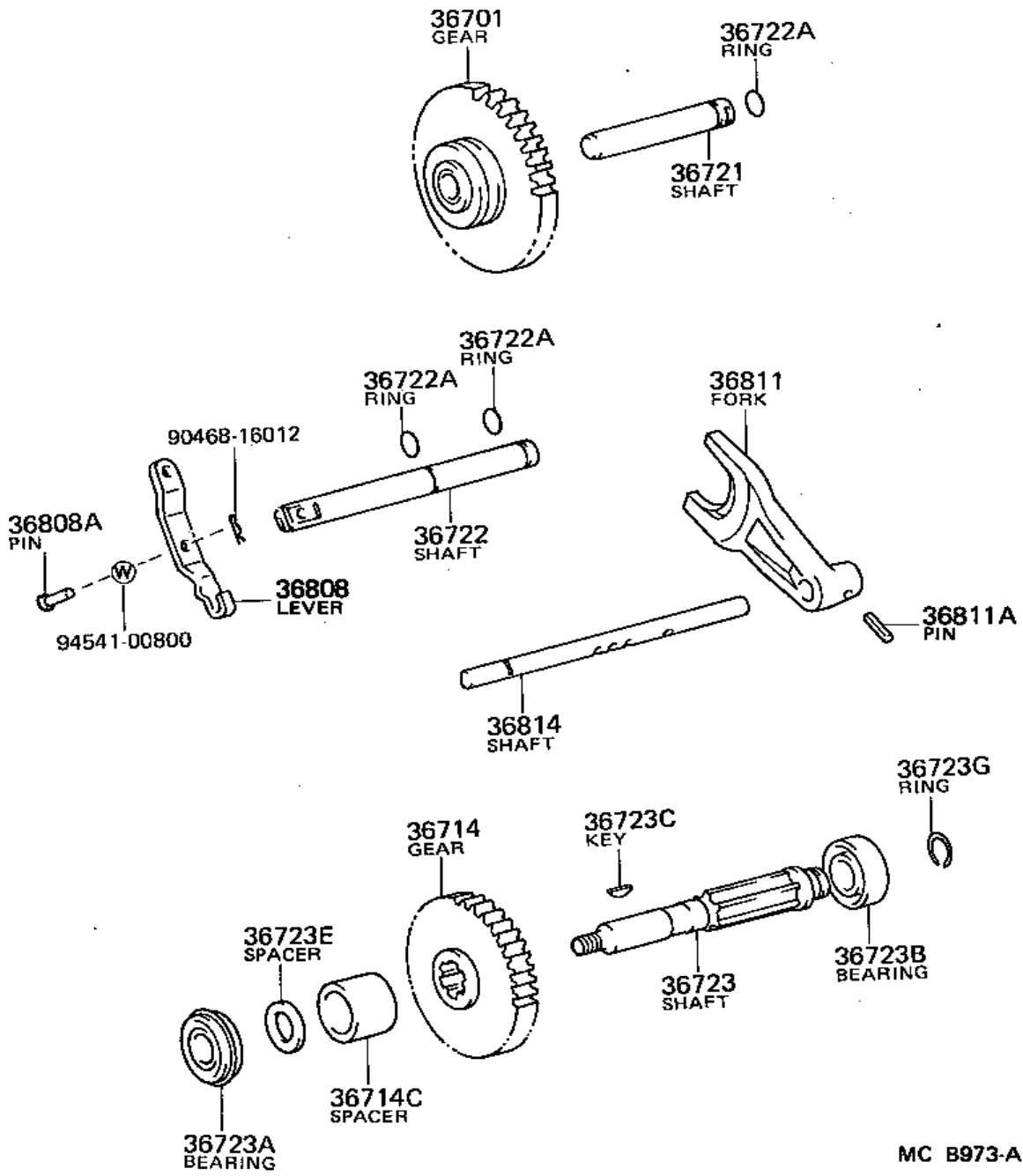


91651-60830 (4)

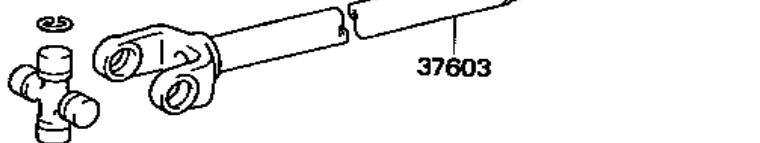
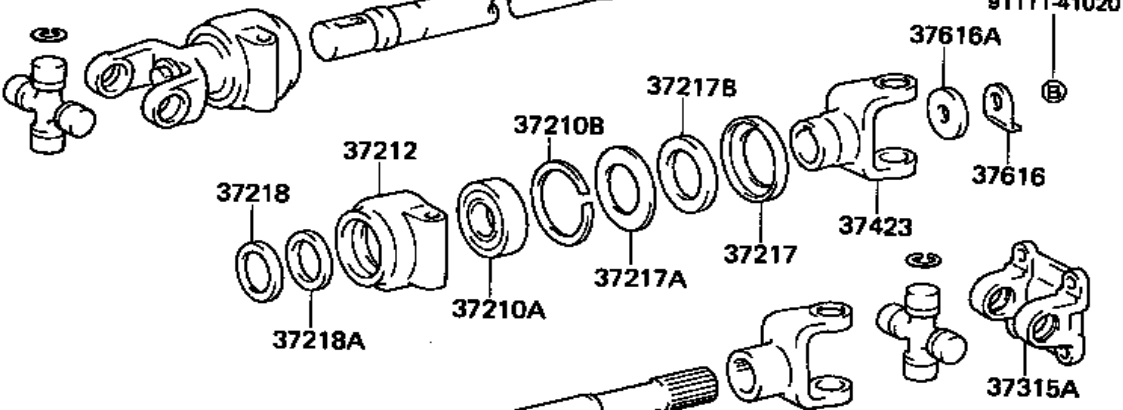
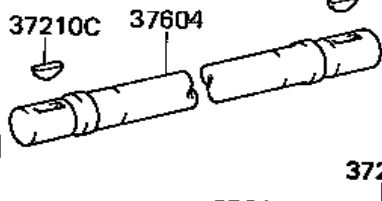
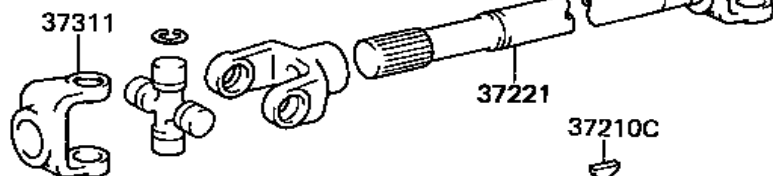
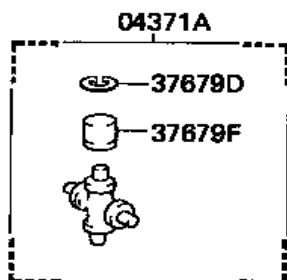
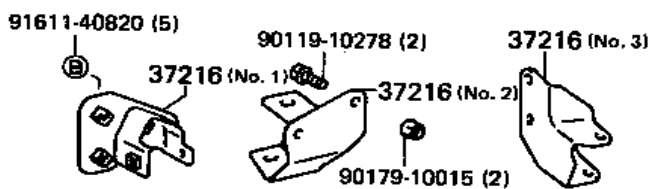
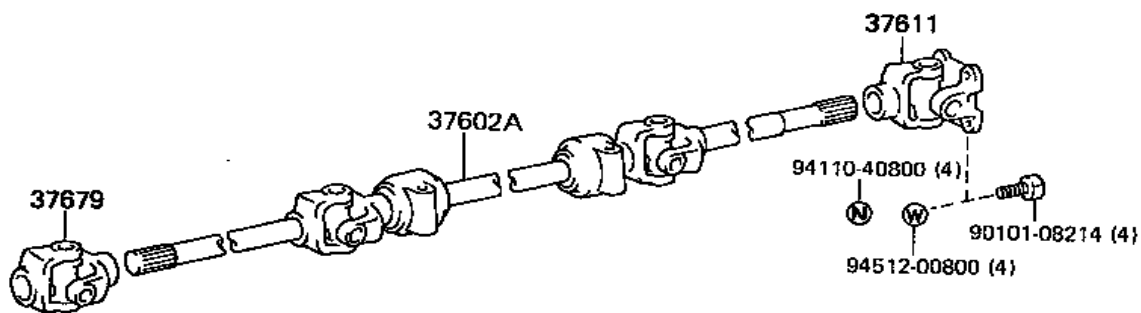
36610  
POWER TAKE-OFF

90119-08353 (2)

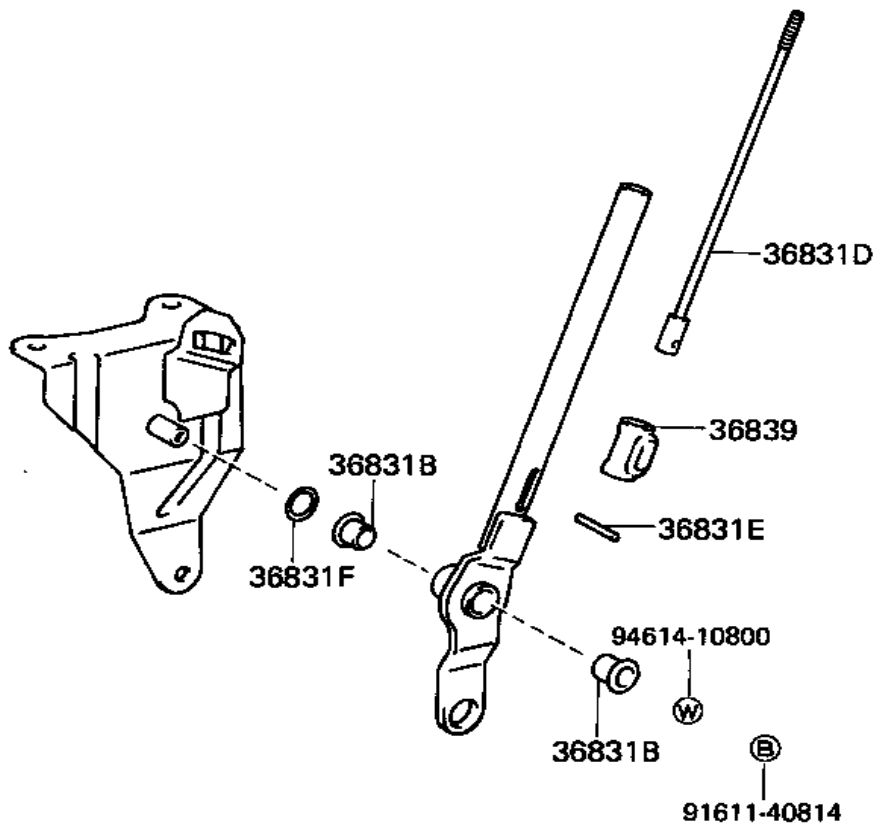
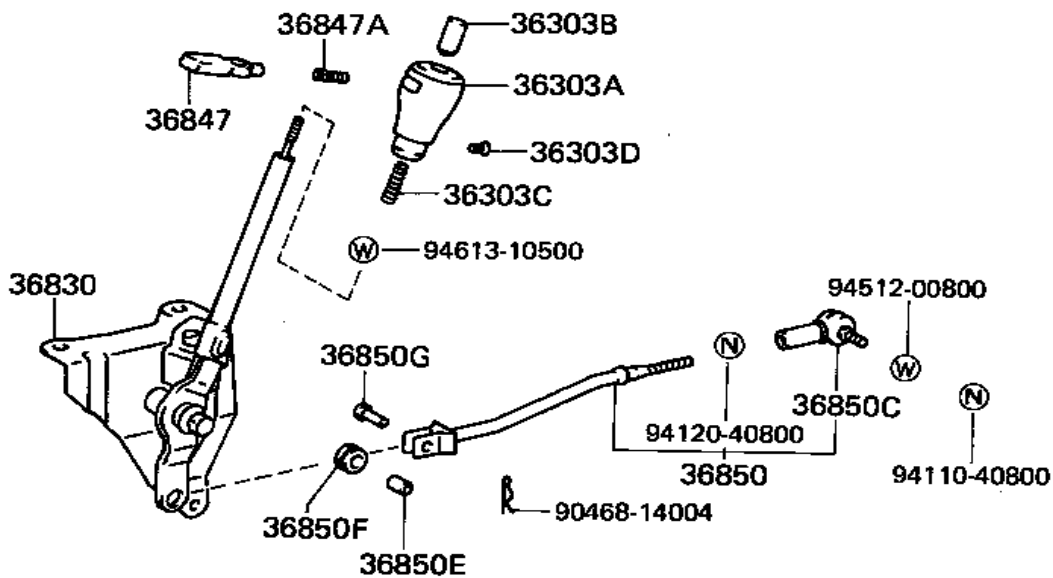




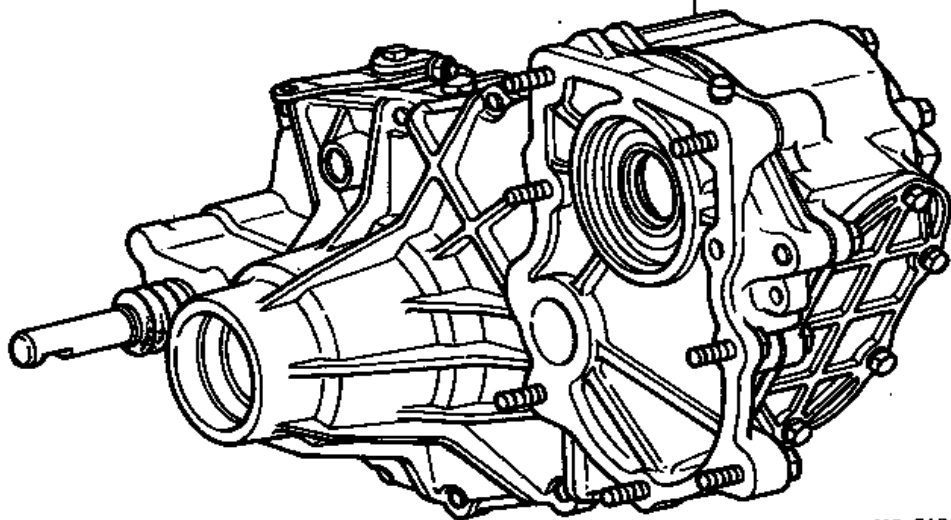
MC B973-A



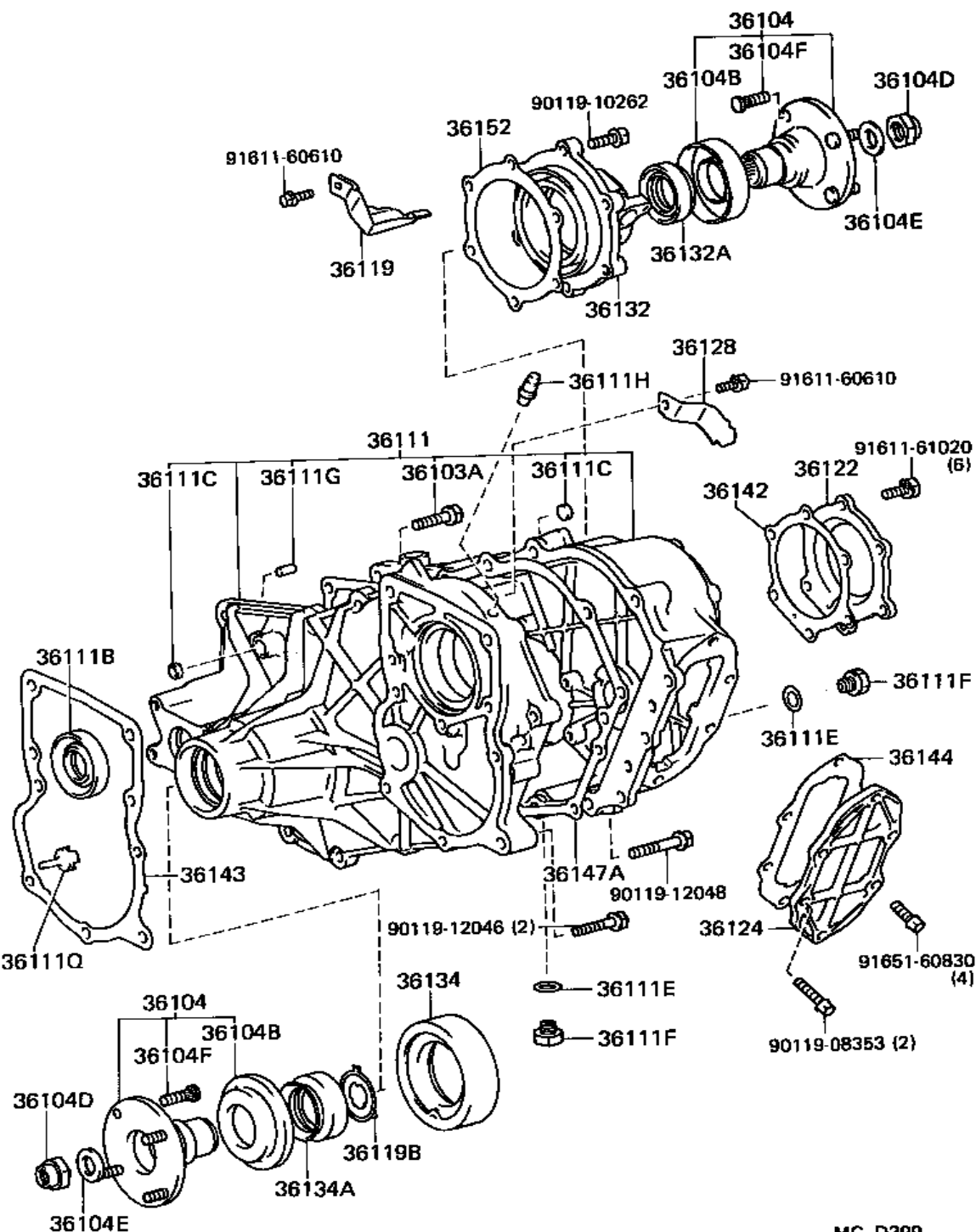
MC B940-D

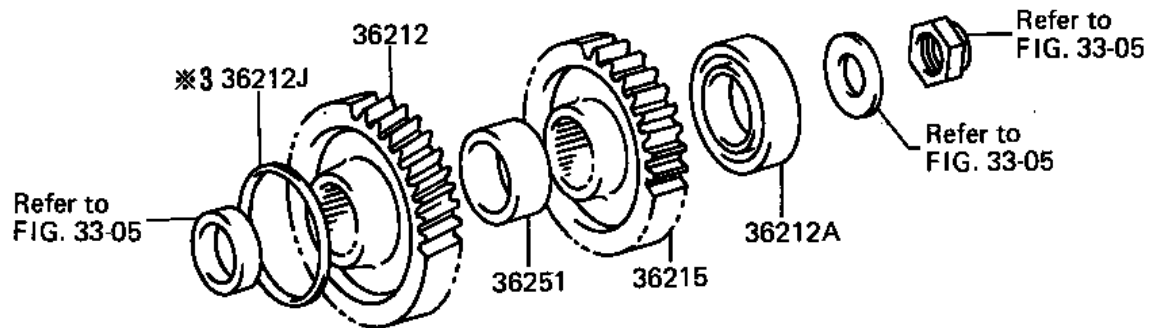


36110  
TRANSFER

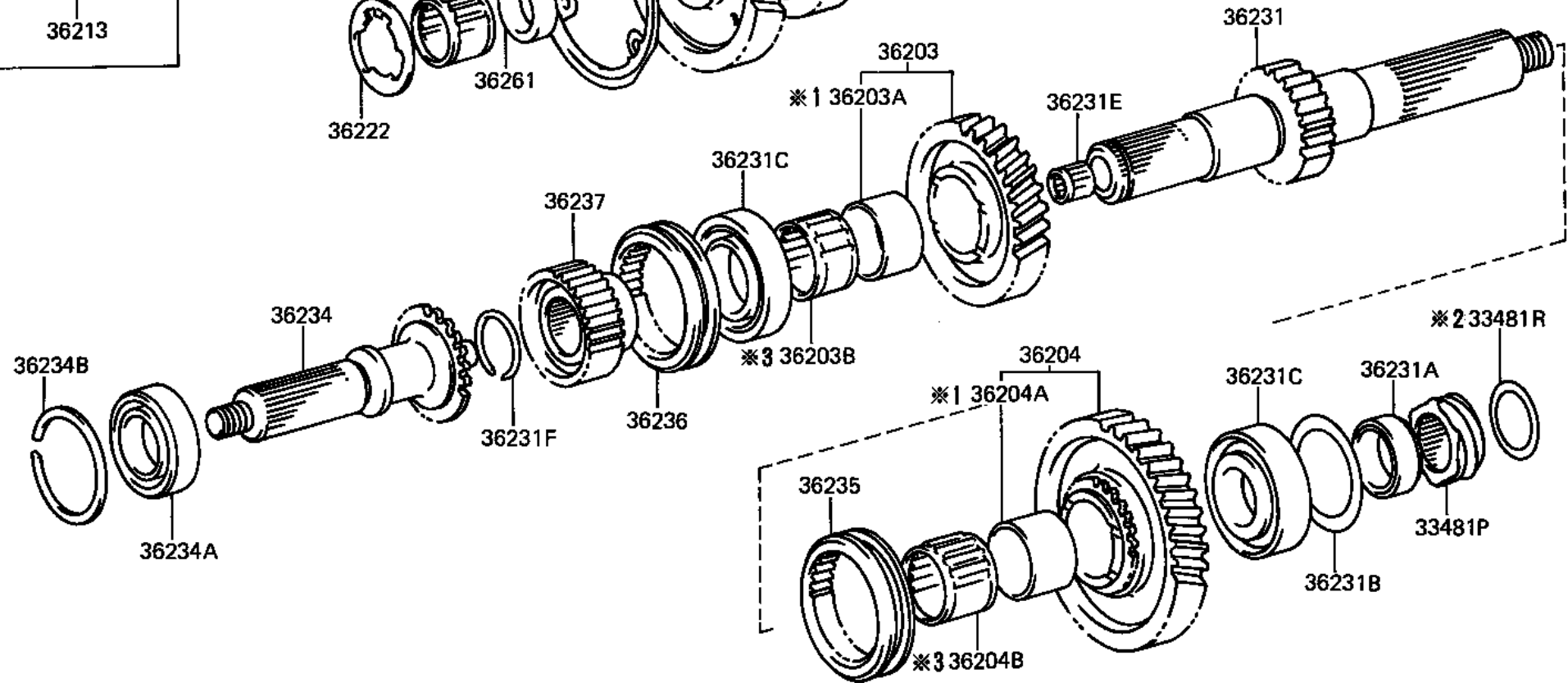
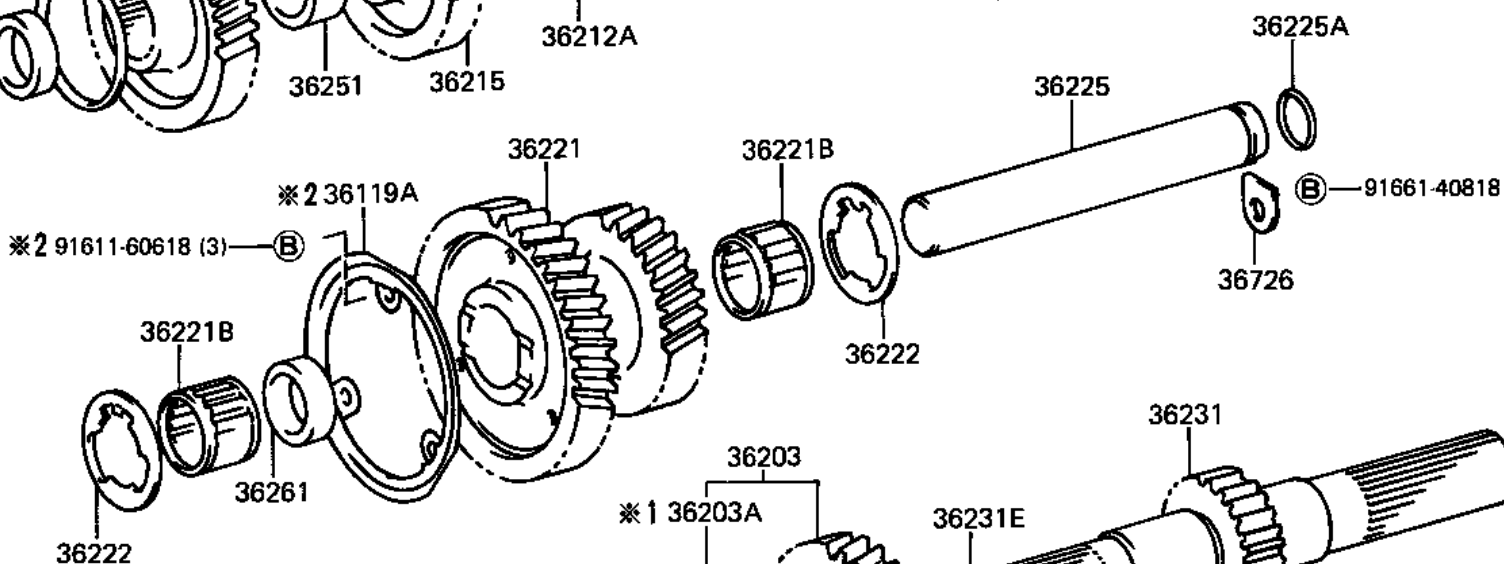
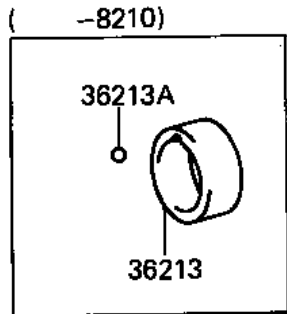


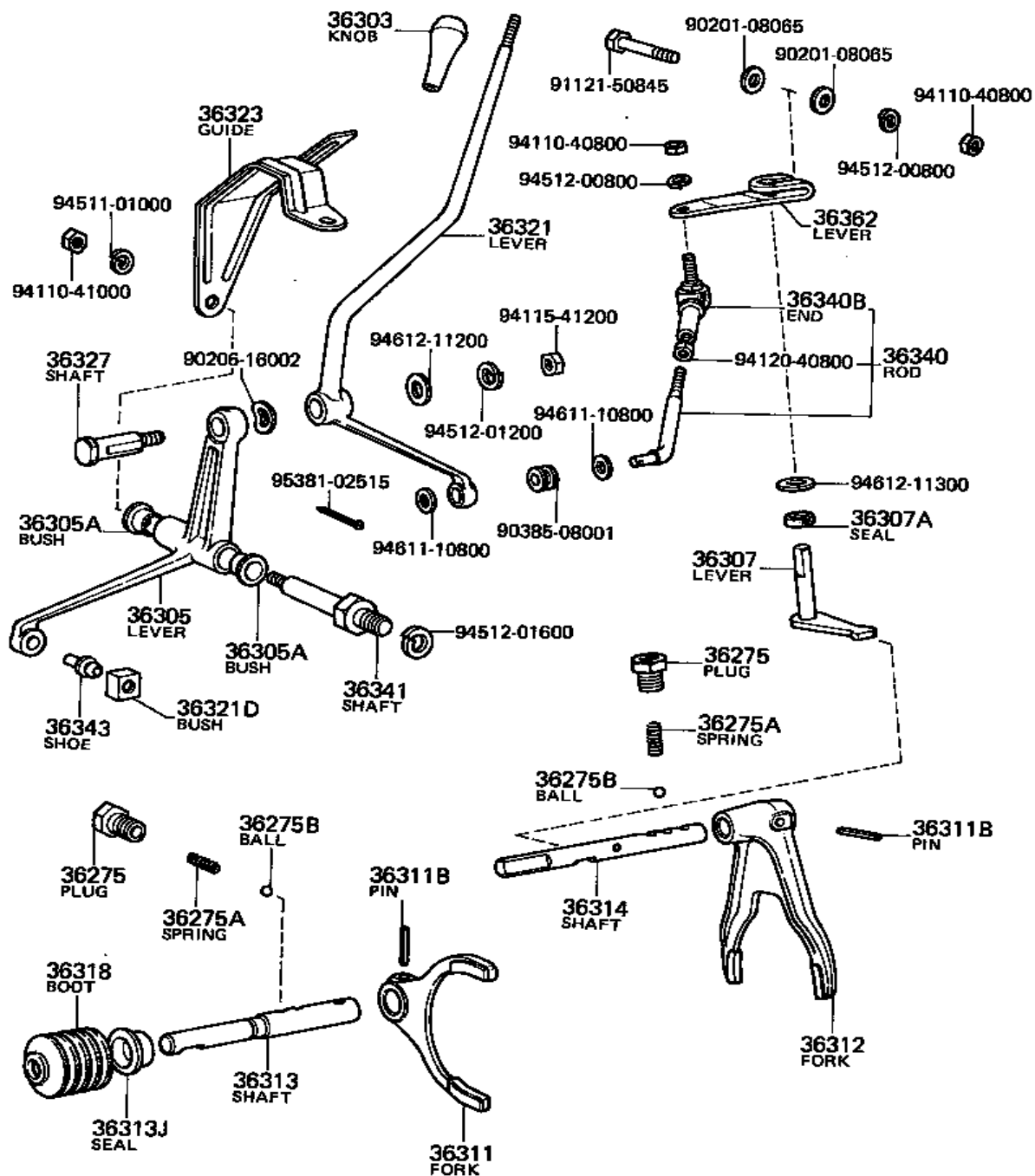
MC 7104





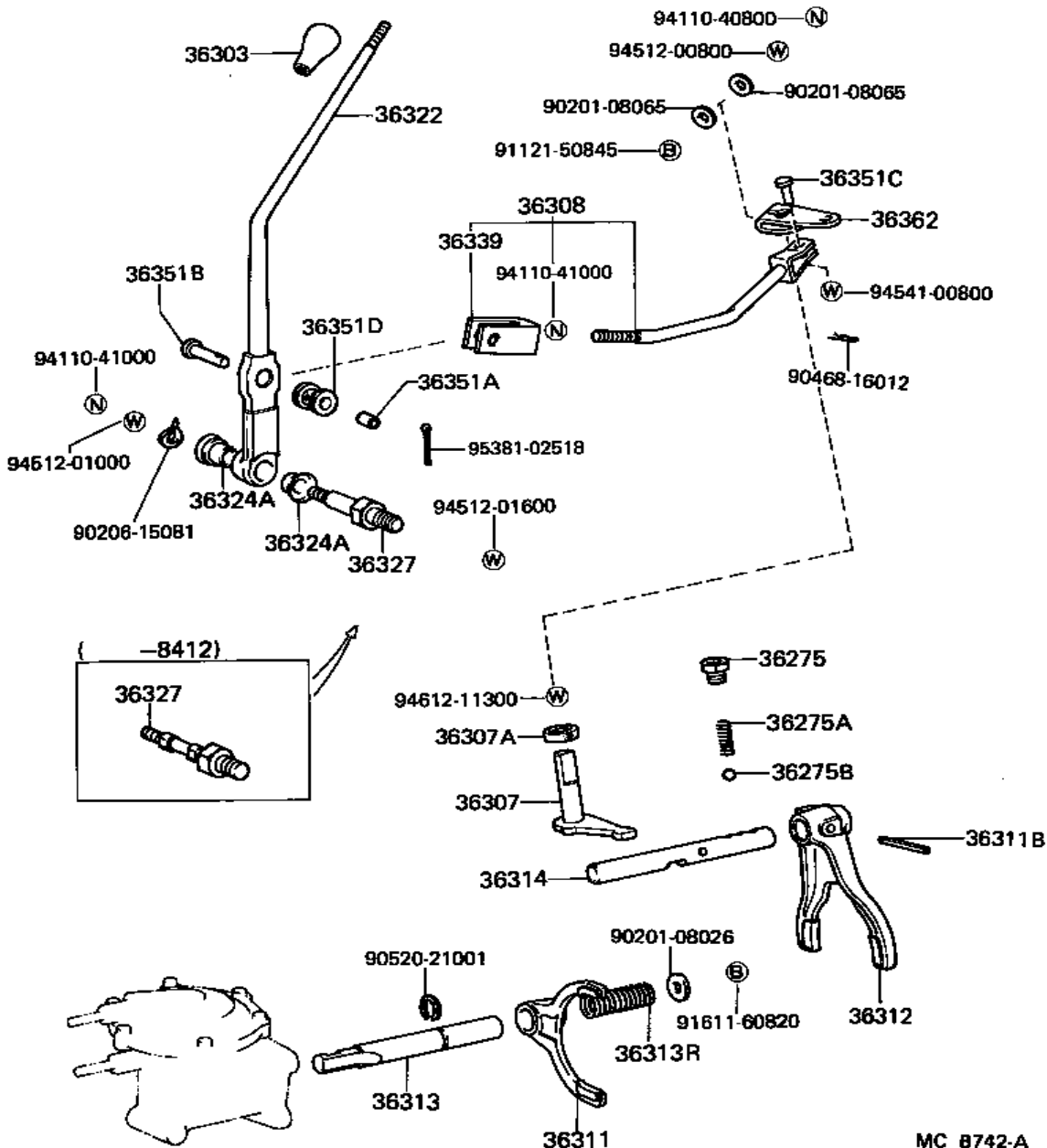
- ※1 ( -8210)
- ※2 (8210- )
- ※3 (8411- ) ATM



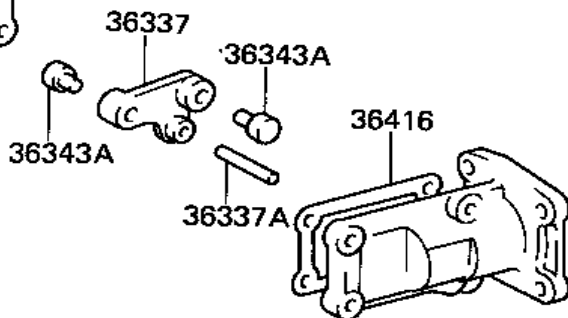
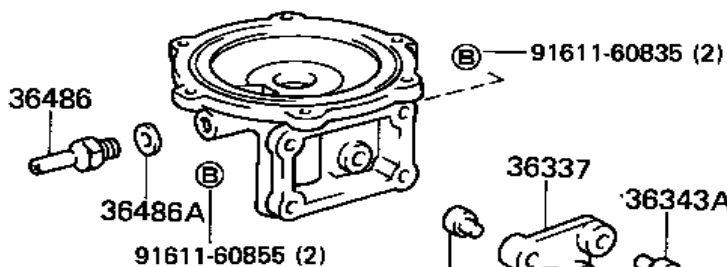
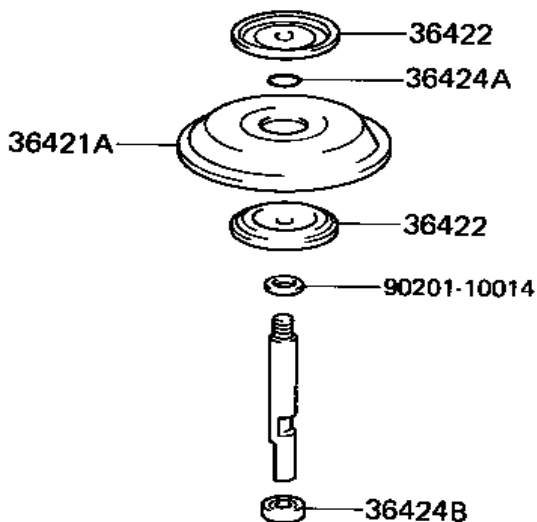
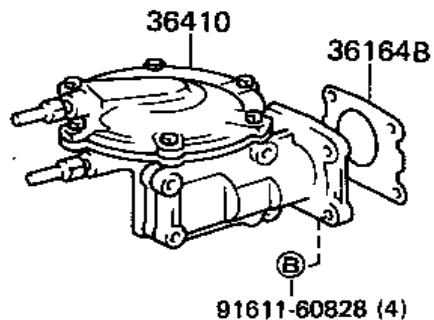
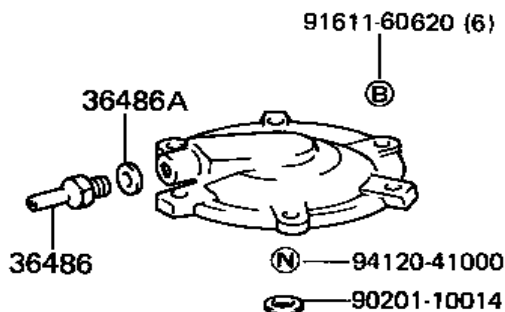




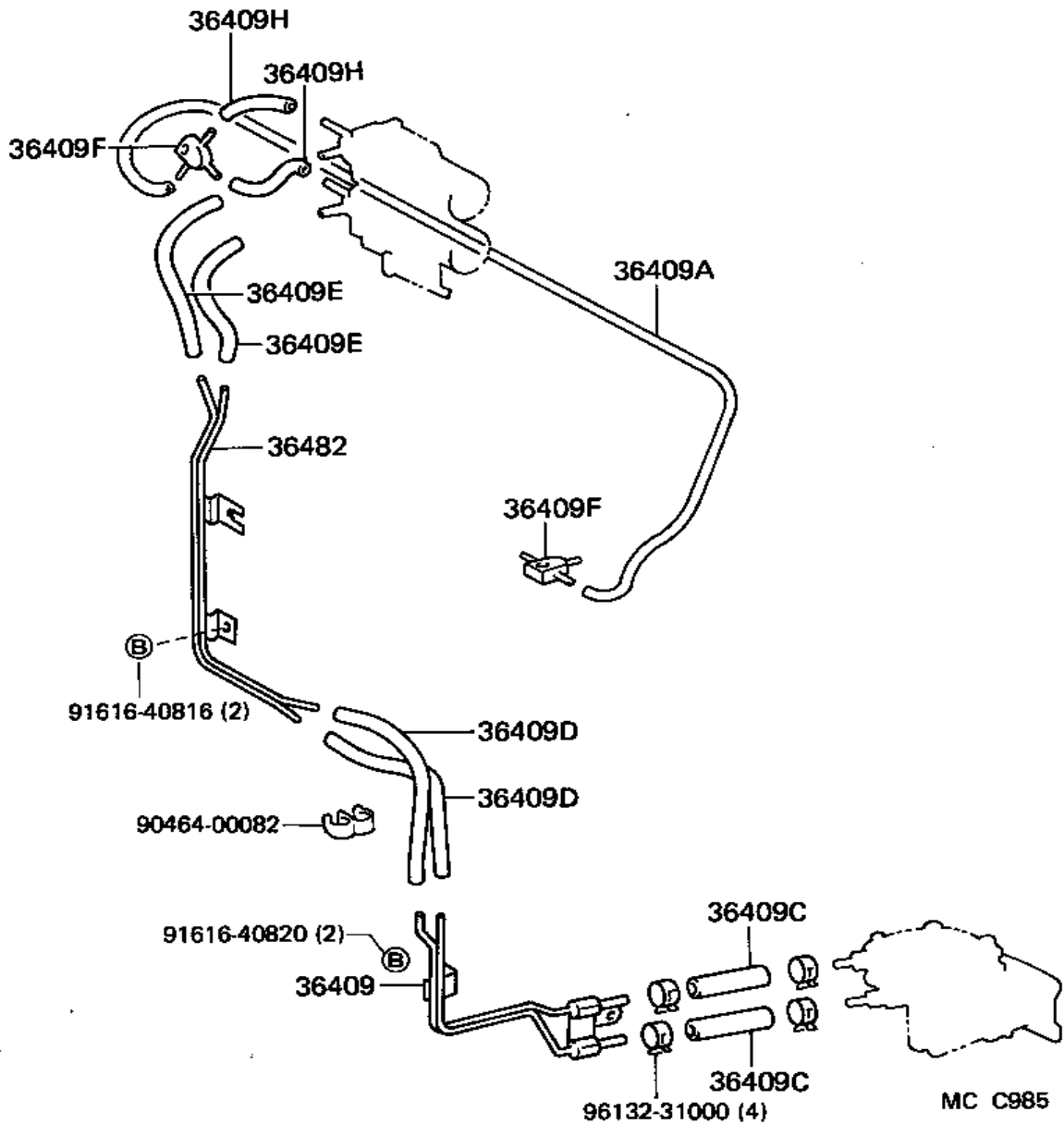
ELECTRIC TYPE

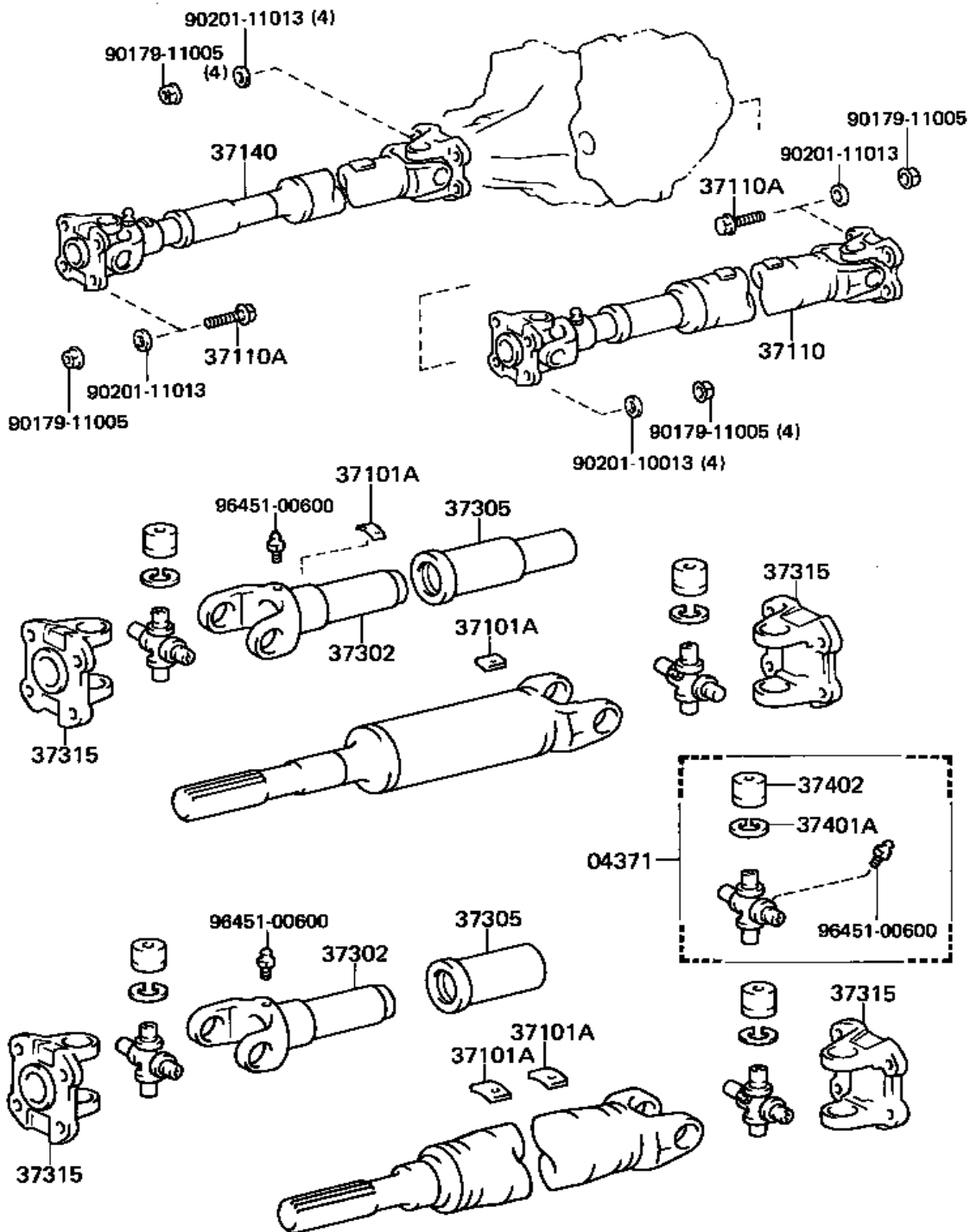


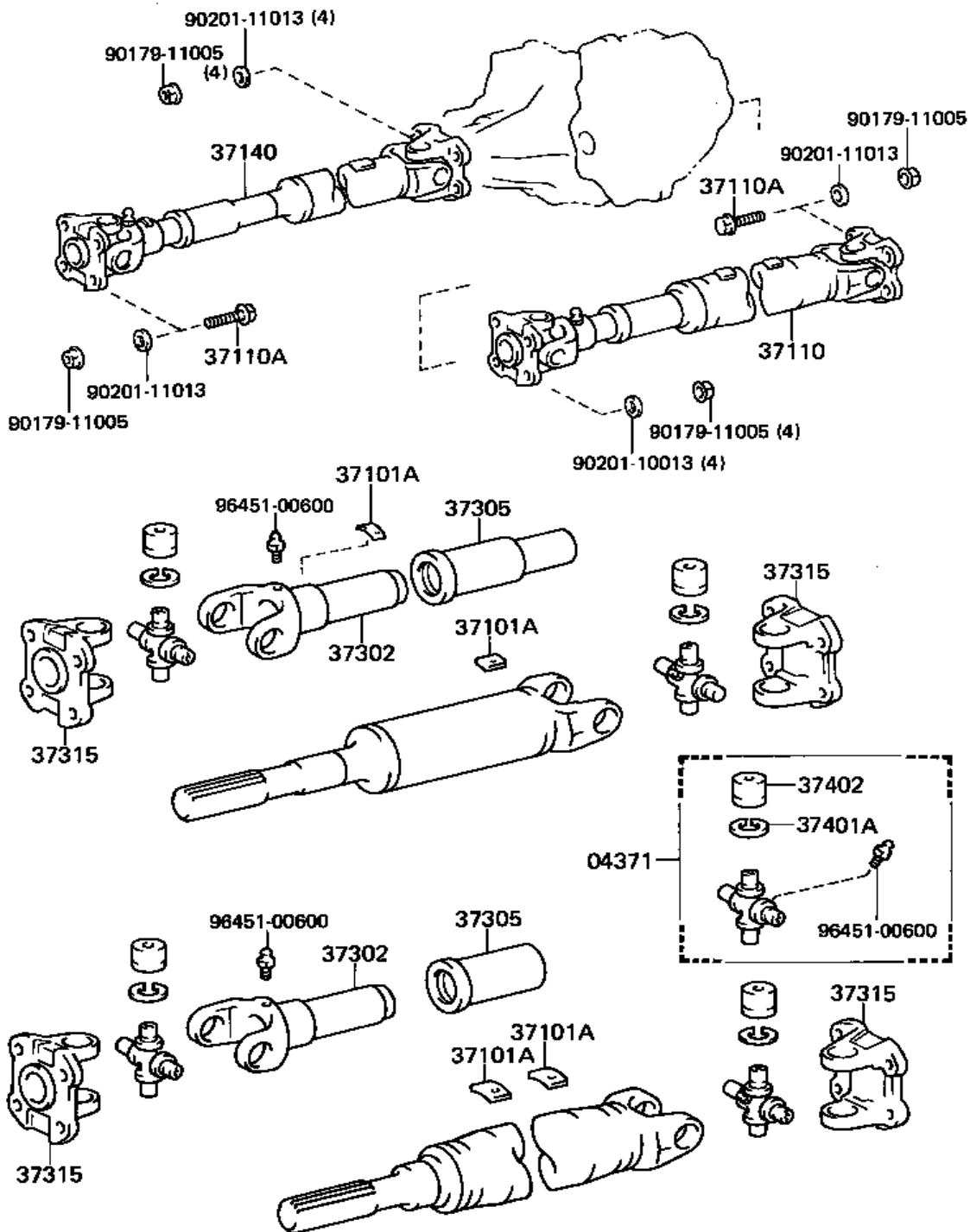
MC 8742-A



MC B743-B

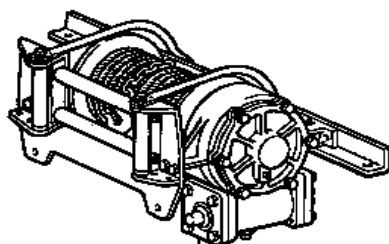
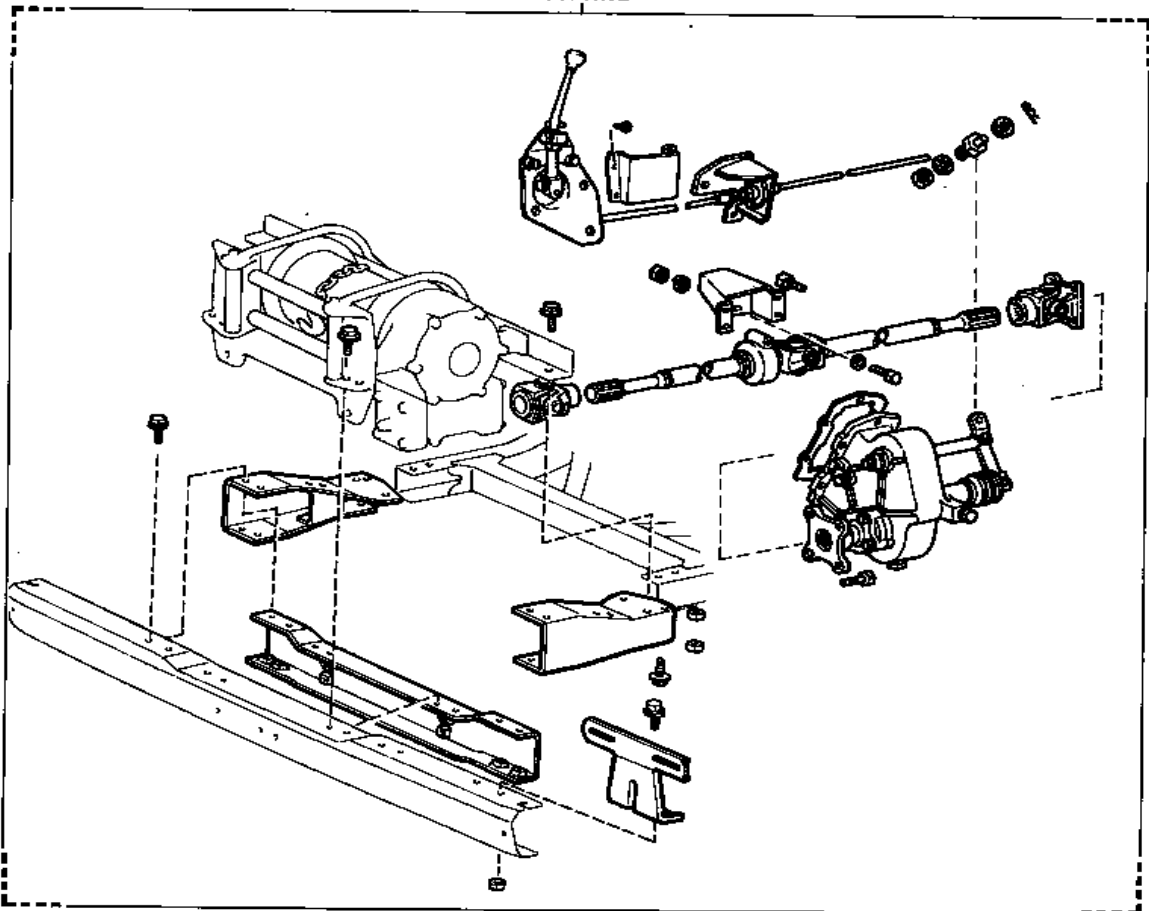




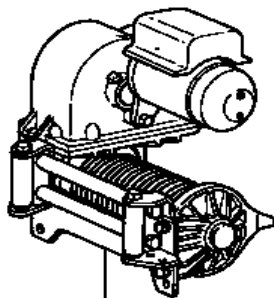
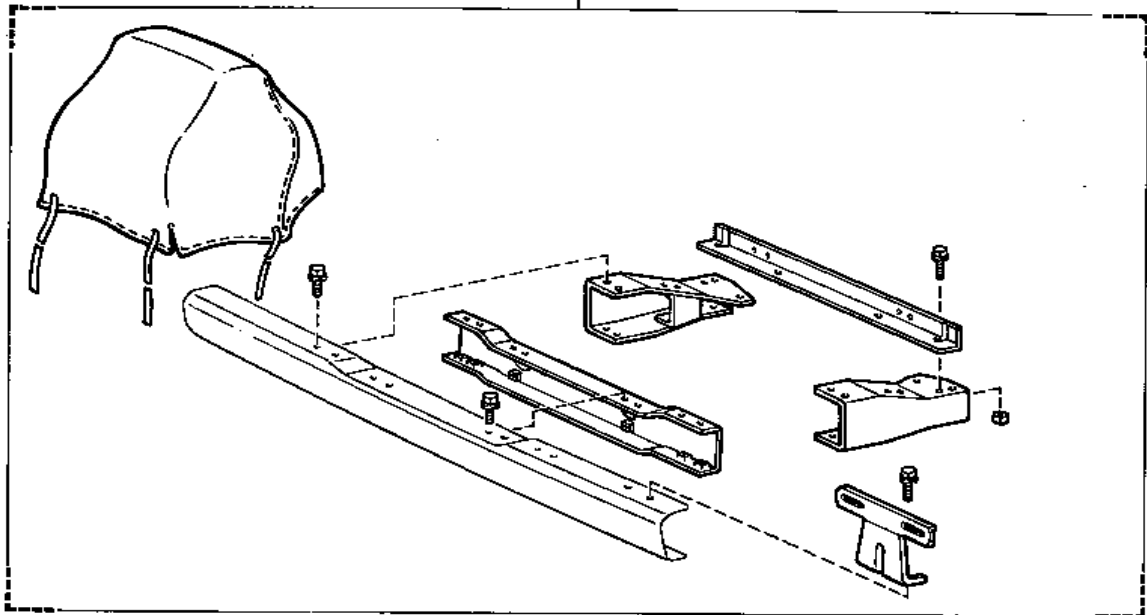


Mechanical Winch

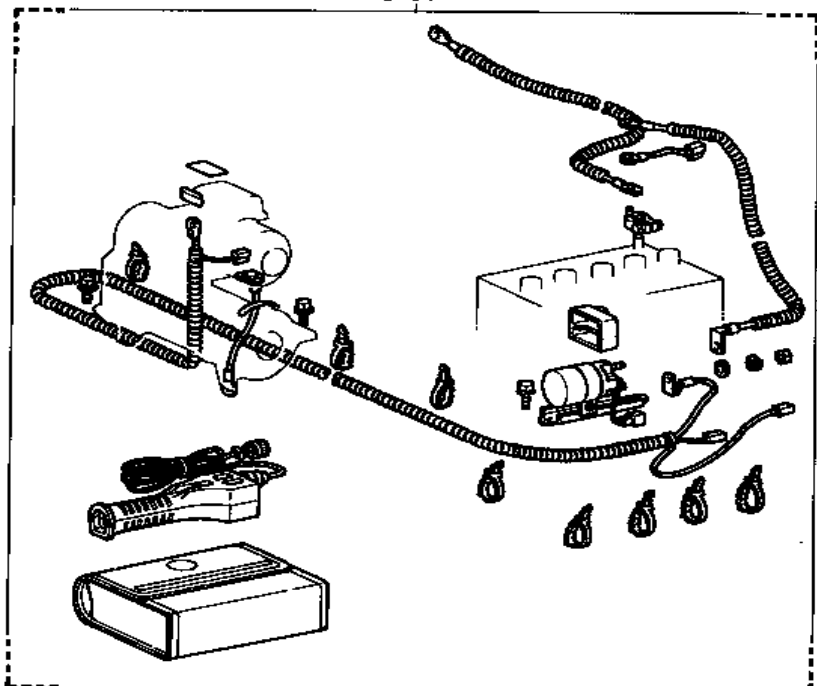
04383  
FITTING



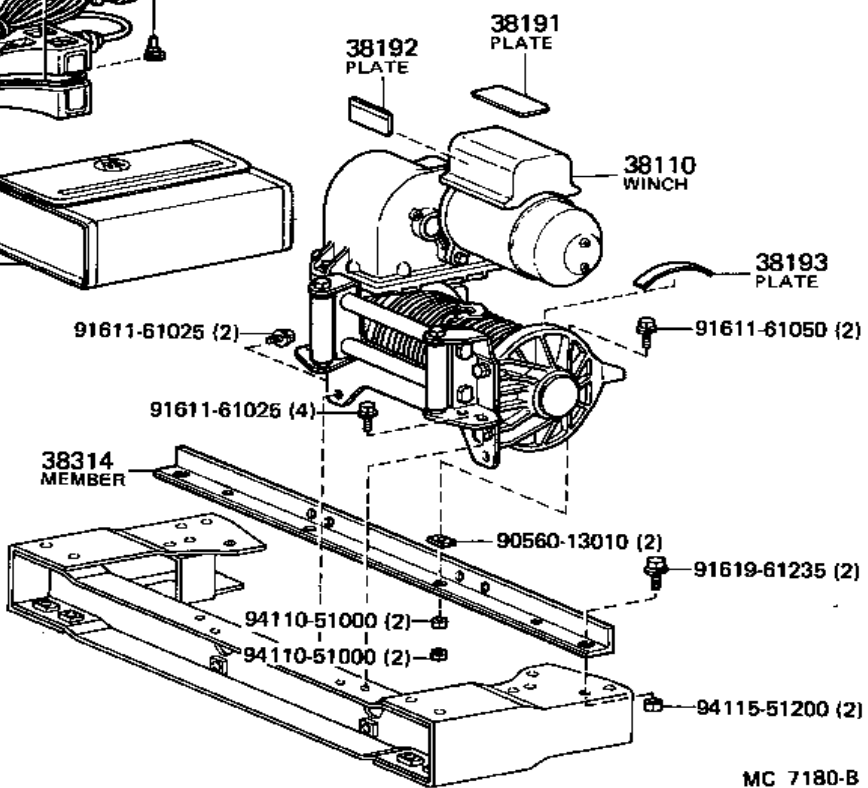
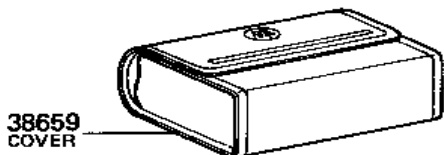
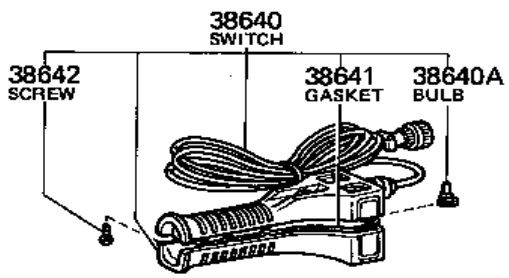
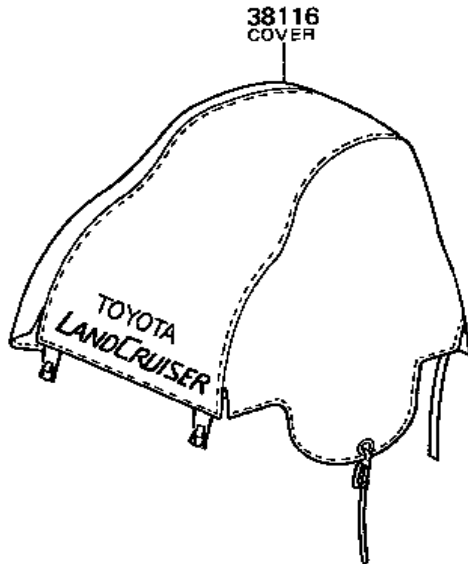
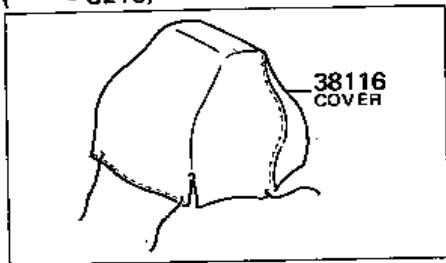
Refer to  
FIG. 38-02



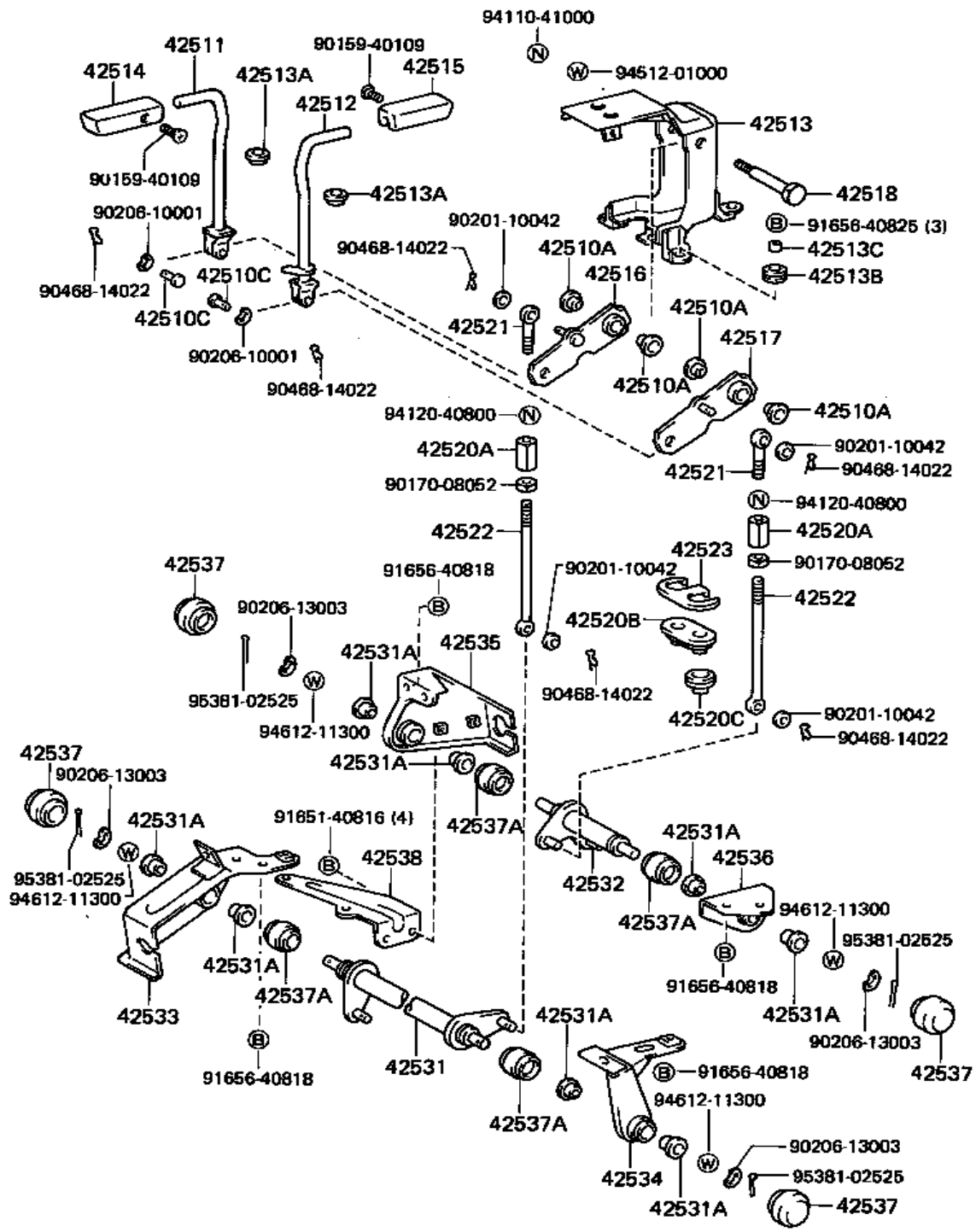
Refer to  
FIG. 38-02

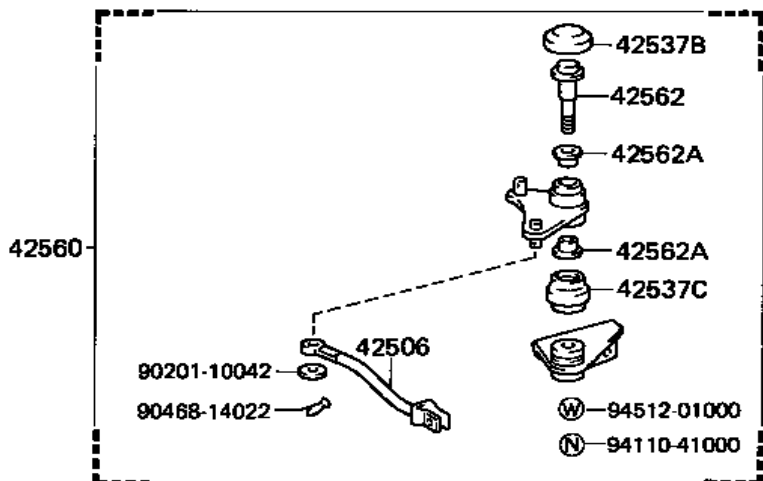
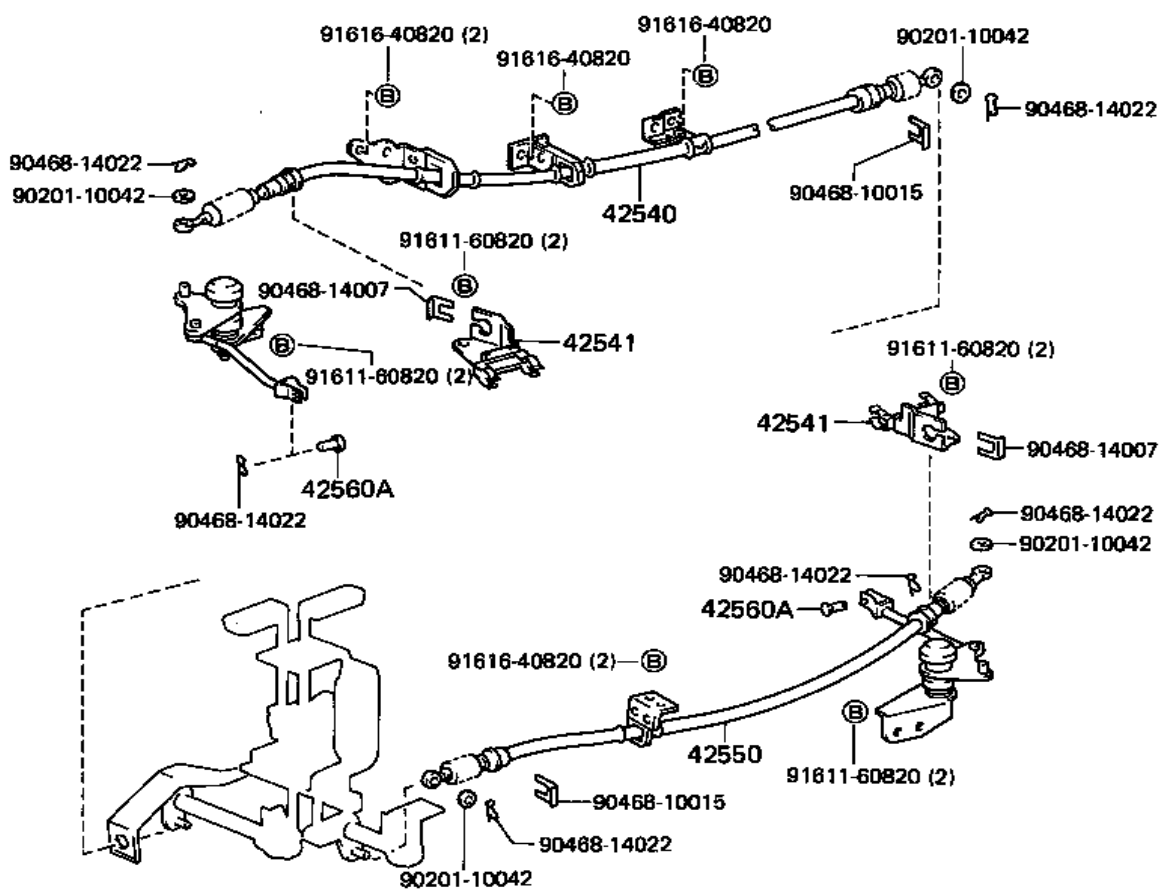


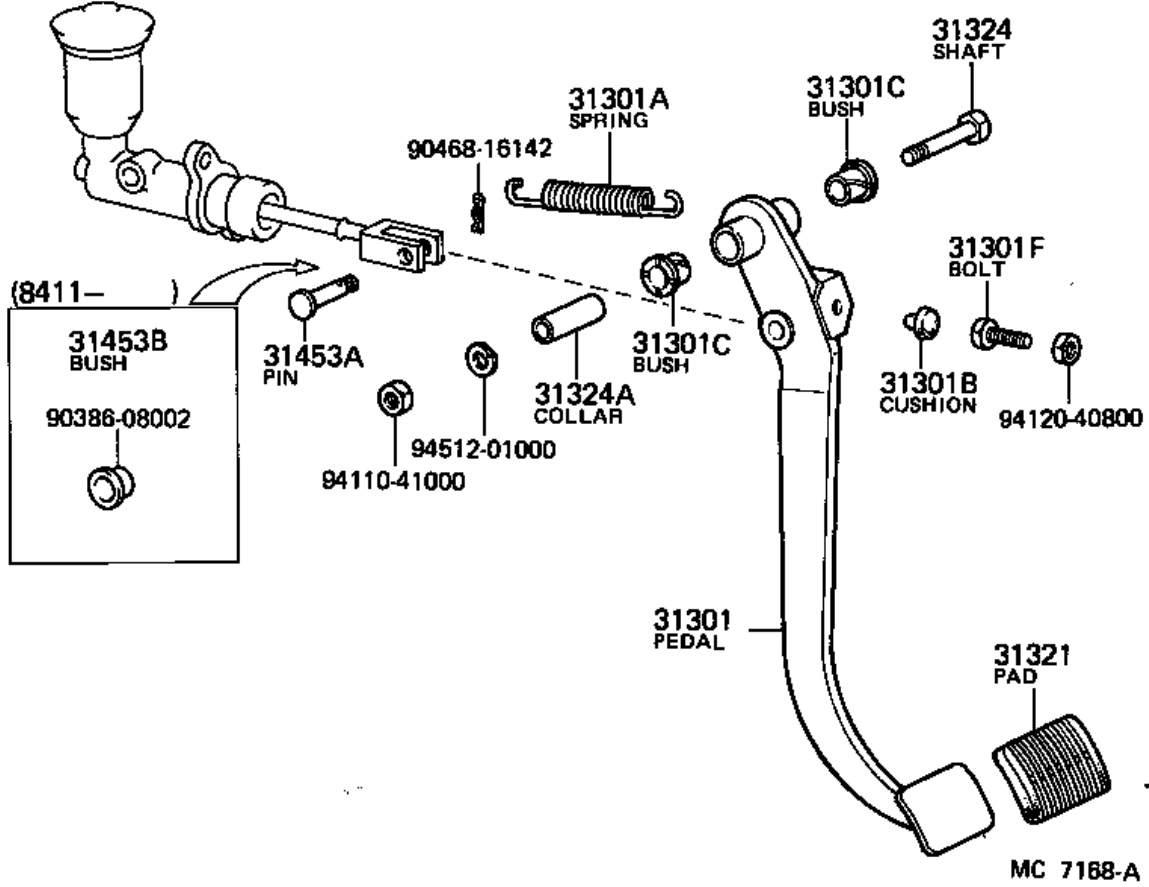
( -8210)



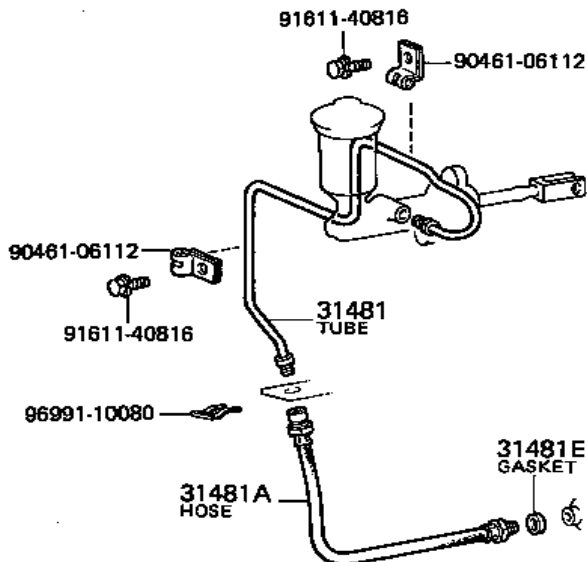




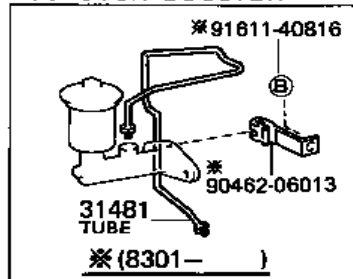




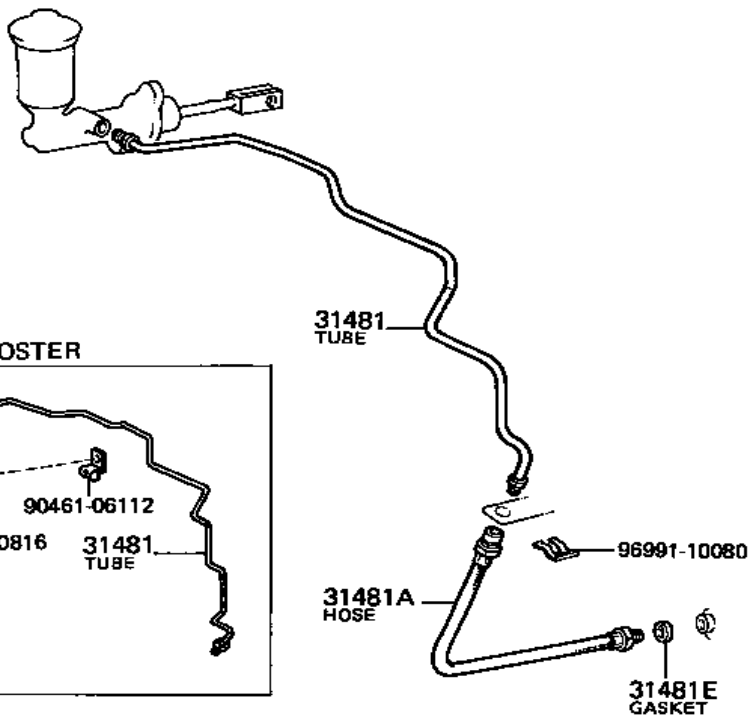
FJ, HJ



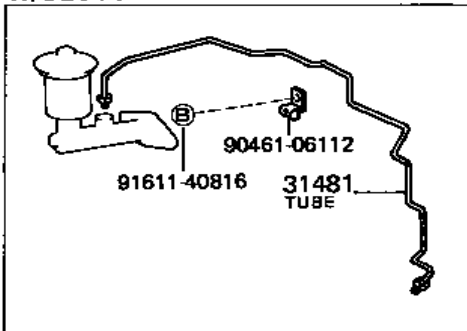
W/CLUTCH BOOSTER



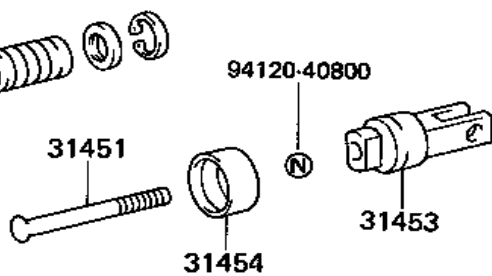
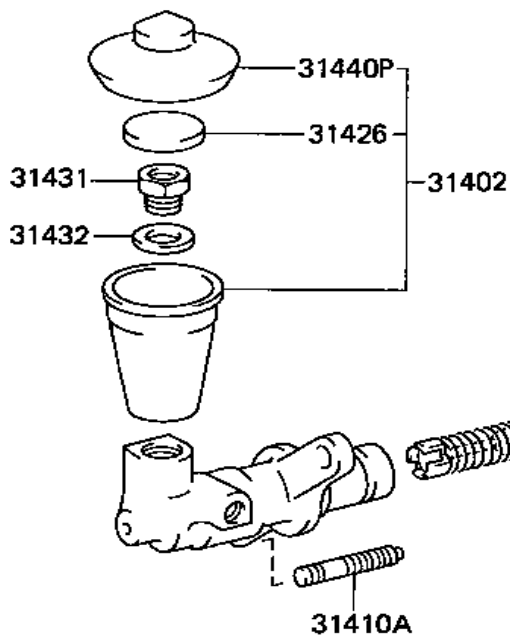
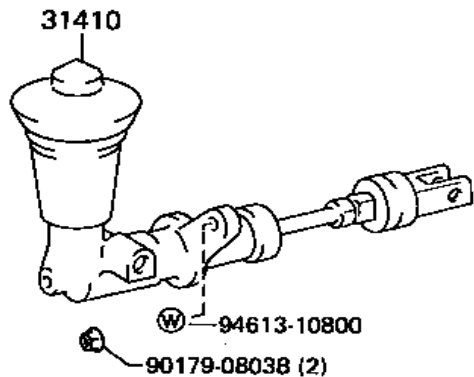
BJ



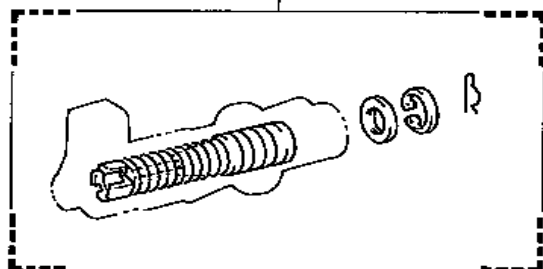
W/CLUTCH BOOSTER



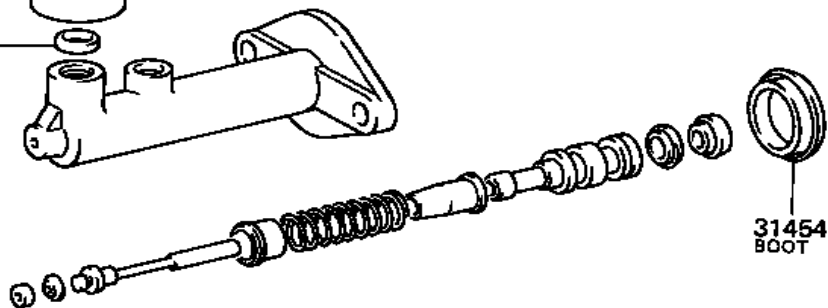
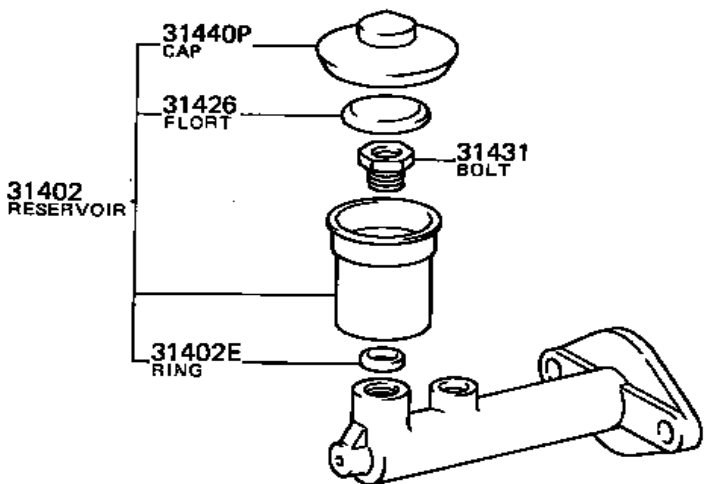
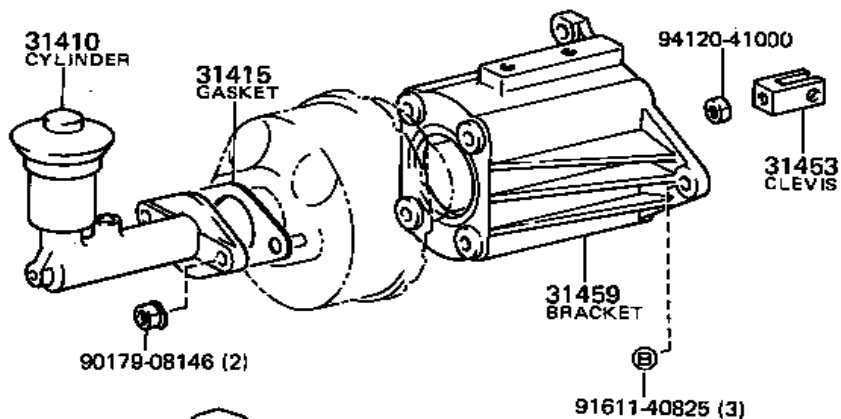
MC 7169-B



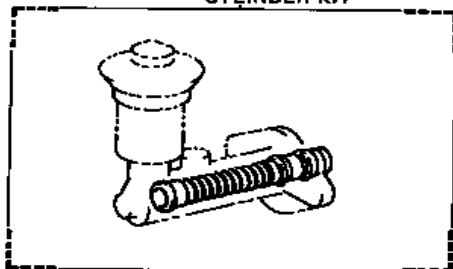
04311

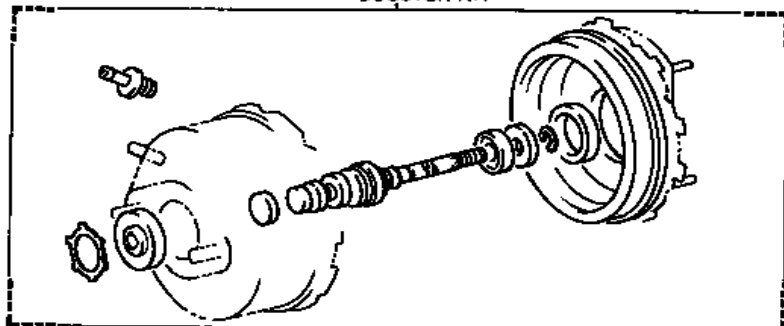
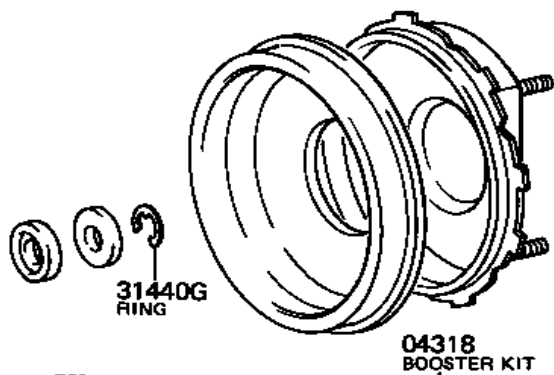
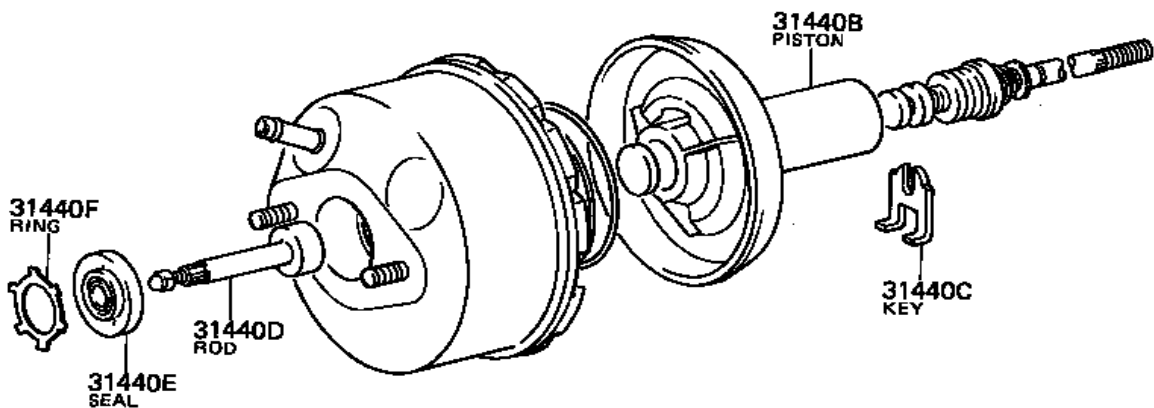
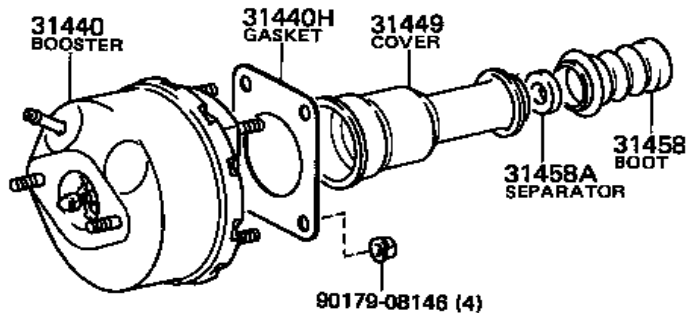


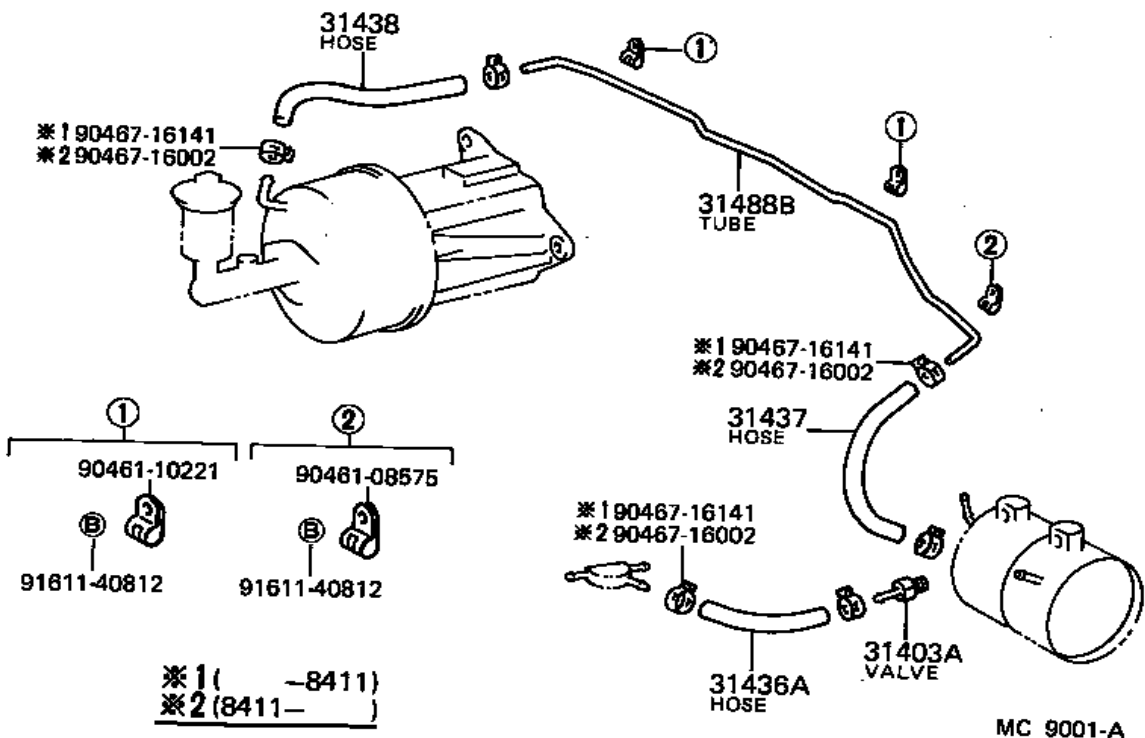
W/CLUTCH BOOSTER



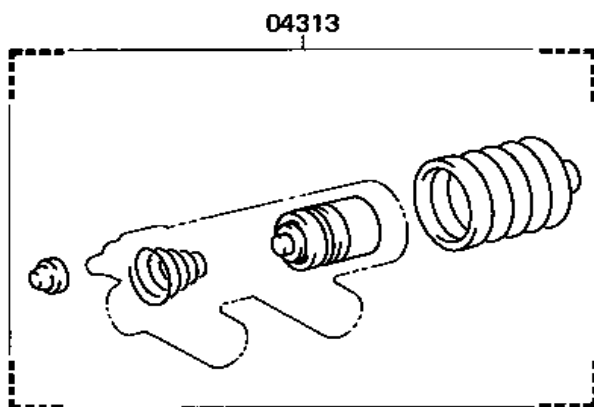
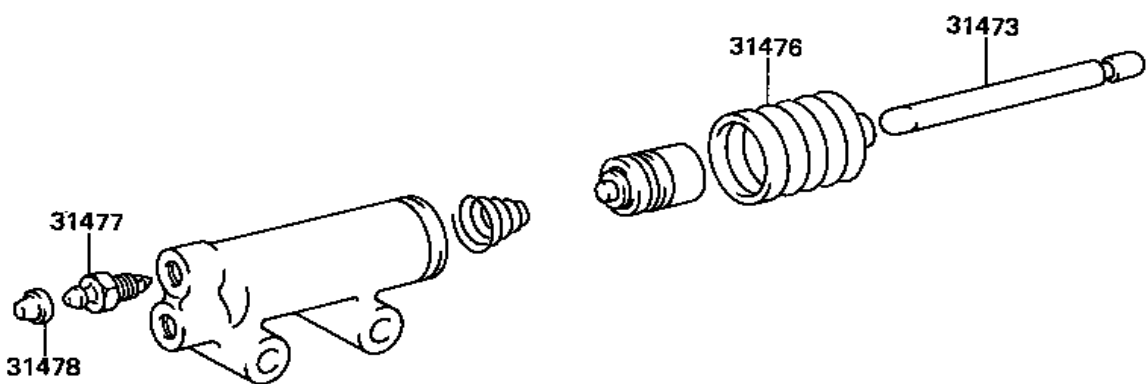
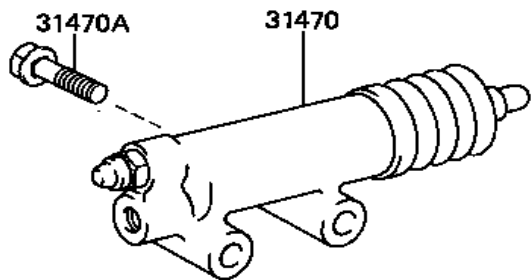
**04311  
CYLINDER KIT**





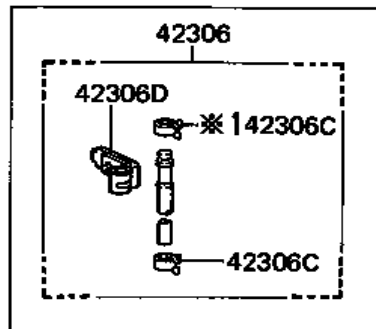
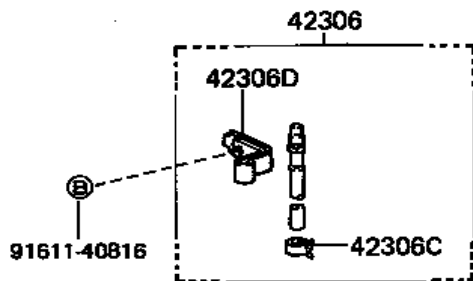




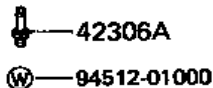


MC B685-A

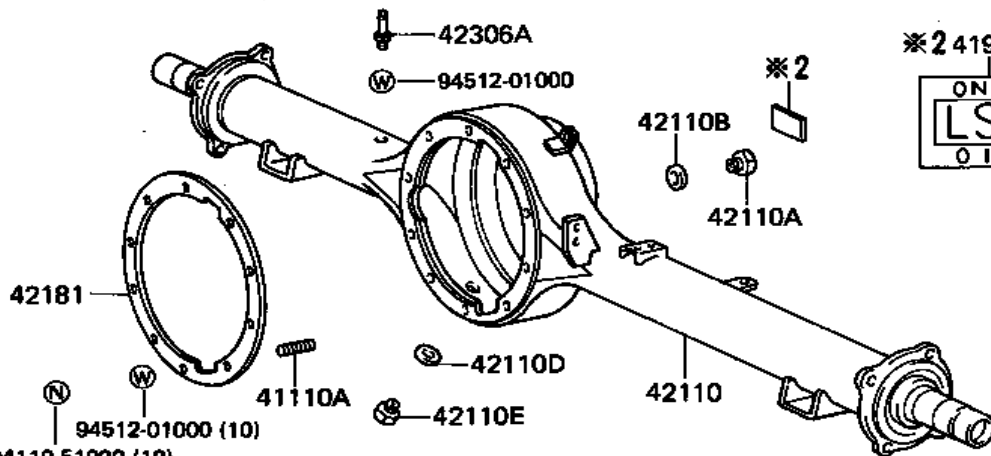
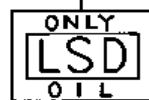
# Full Floating Axle



\*1 ( -8105)



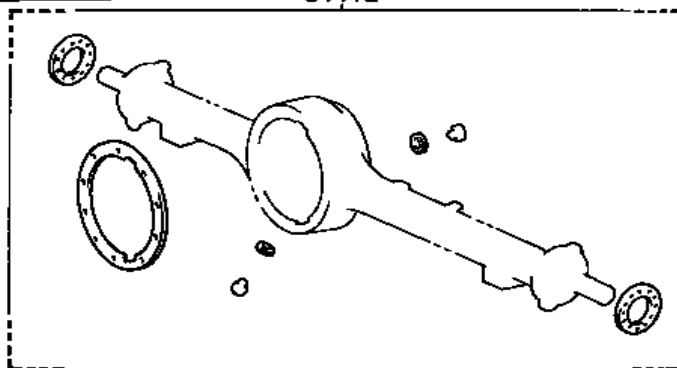
\*2 41991



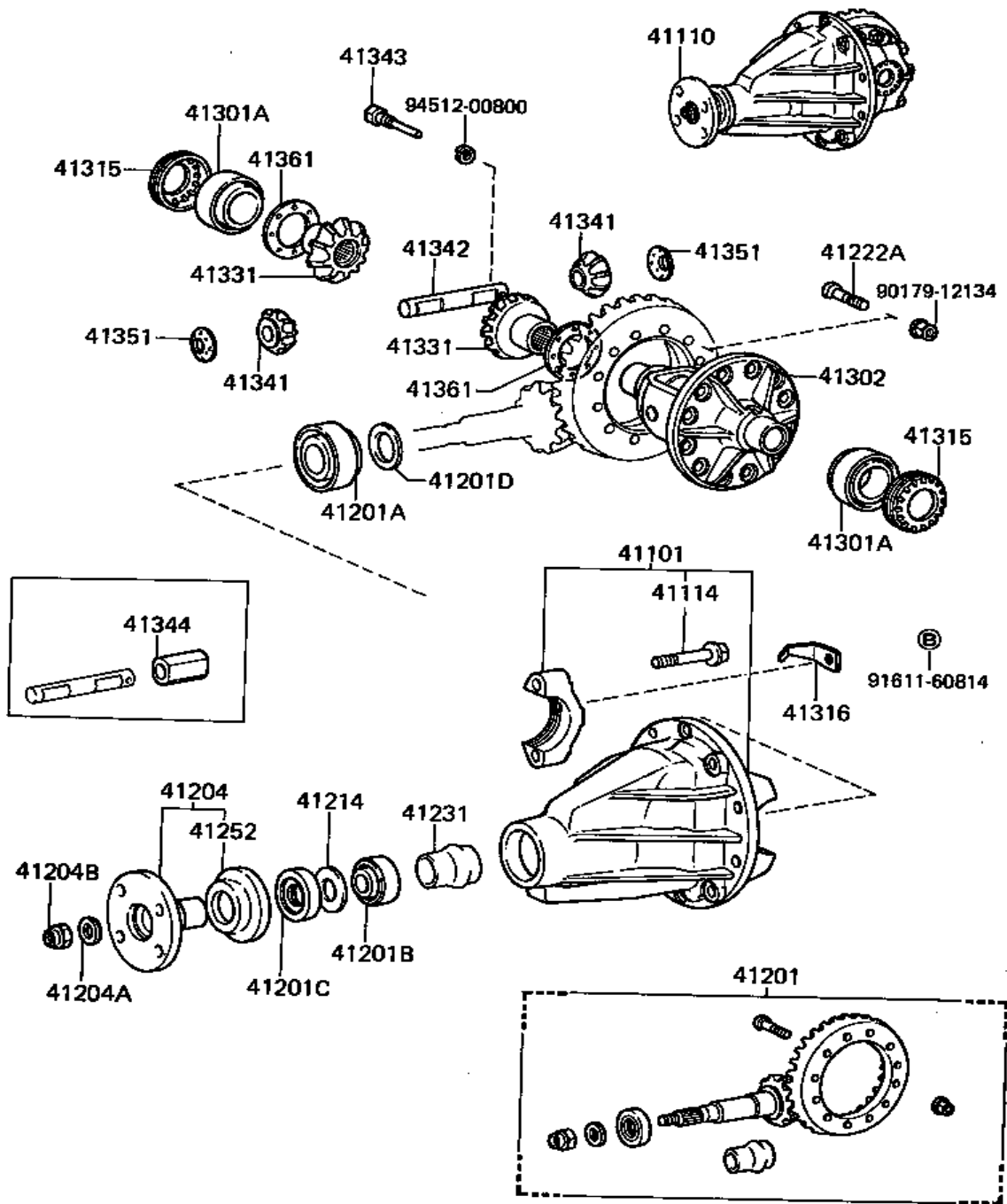
W/ Differential Lock

04412

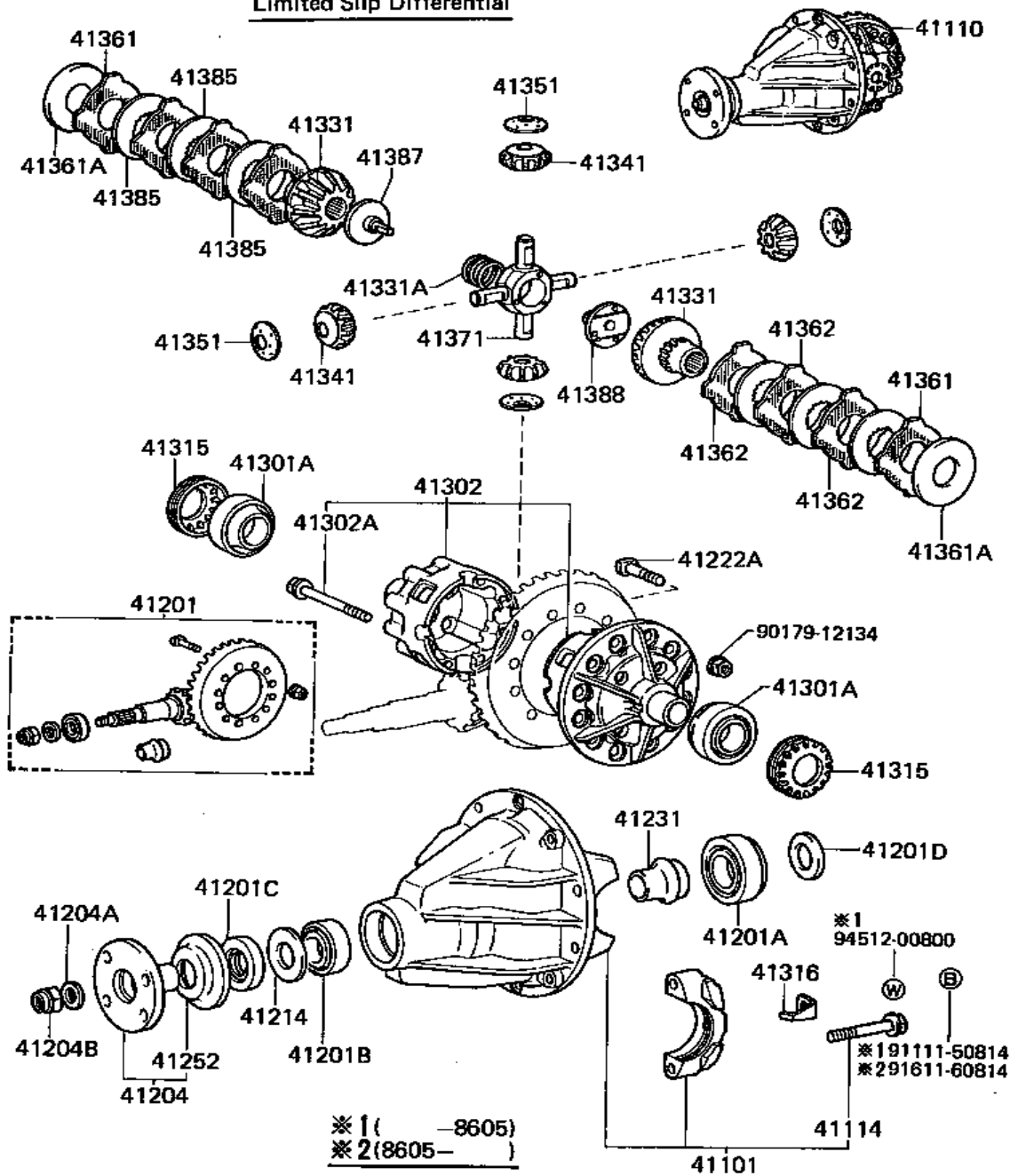
FR Door Inside



MC 8320-C

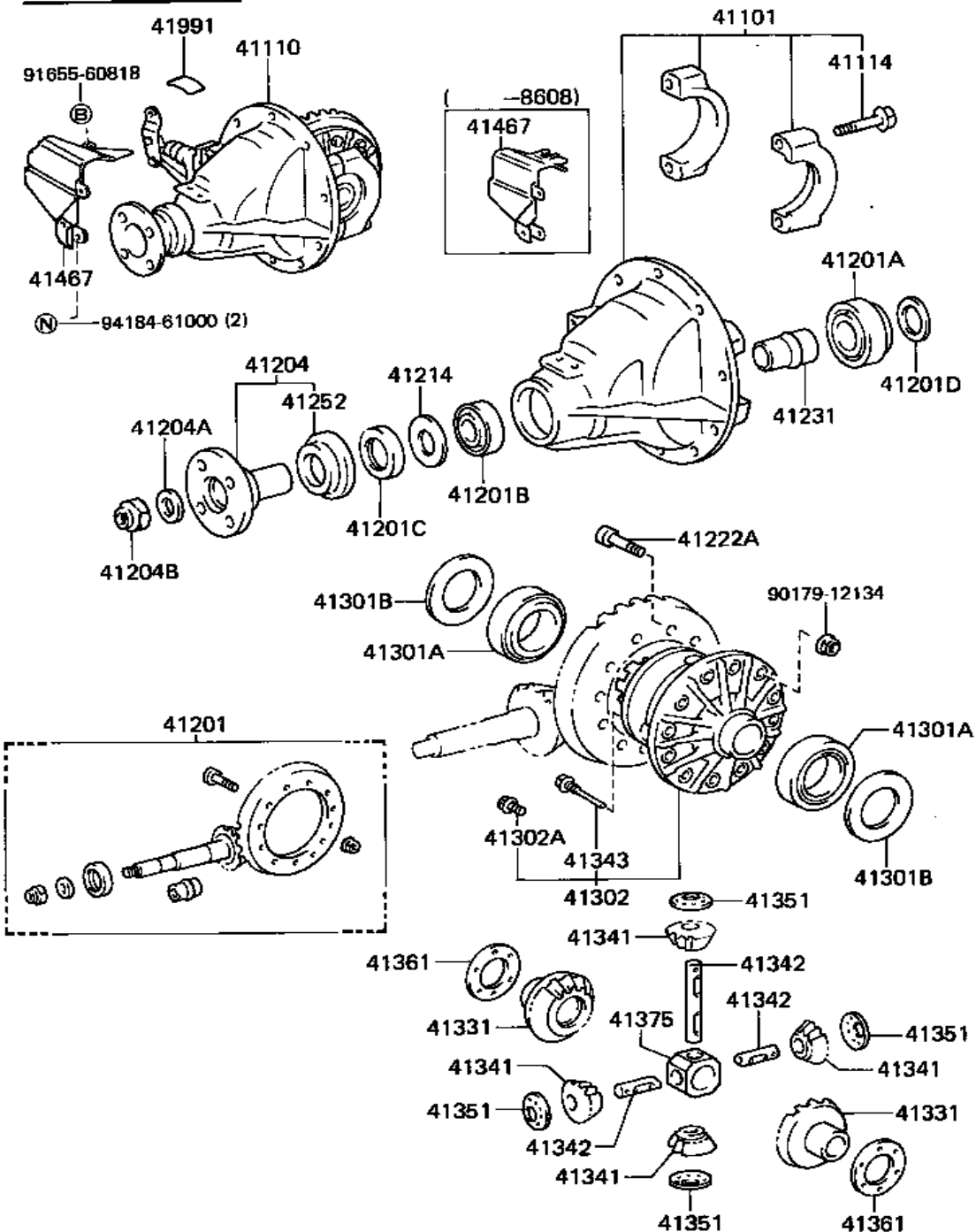


# Limited Slip Differential

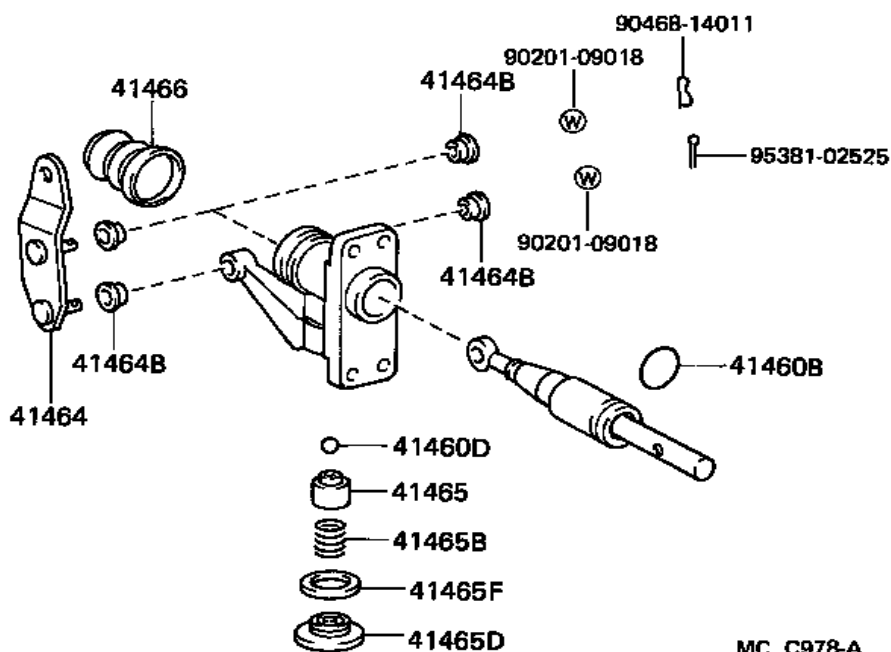
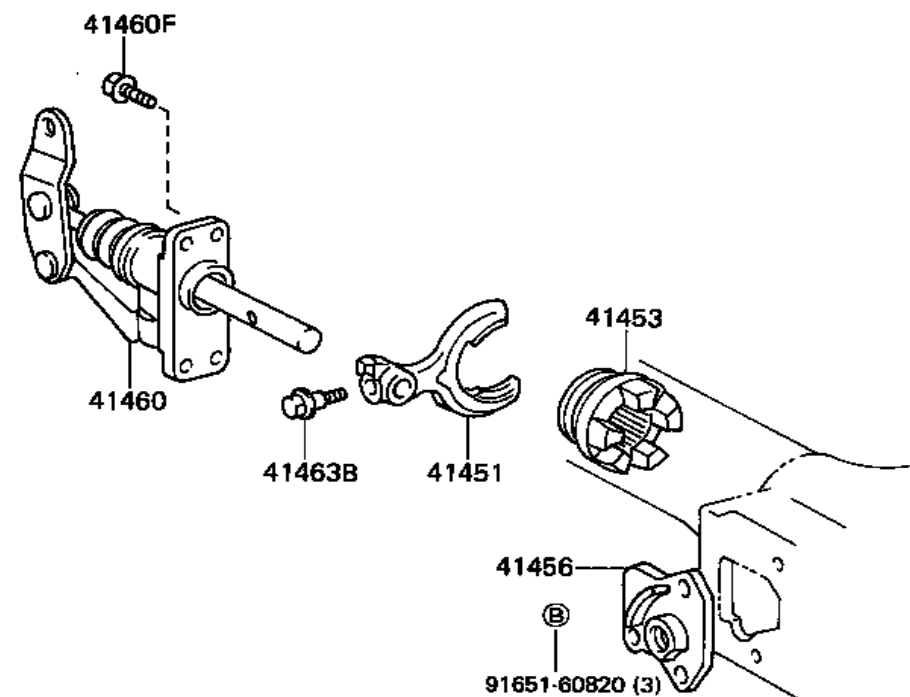


\* 1 ( -8605)  
 \* 2 (8605- )

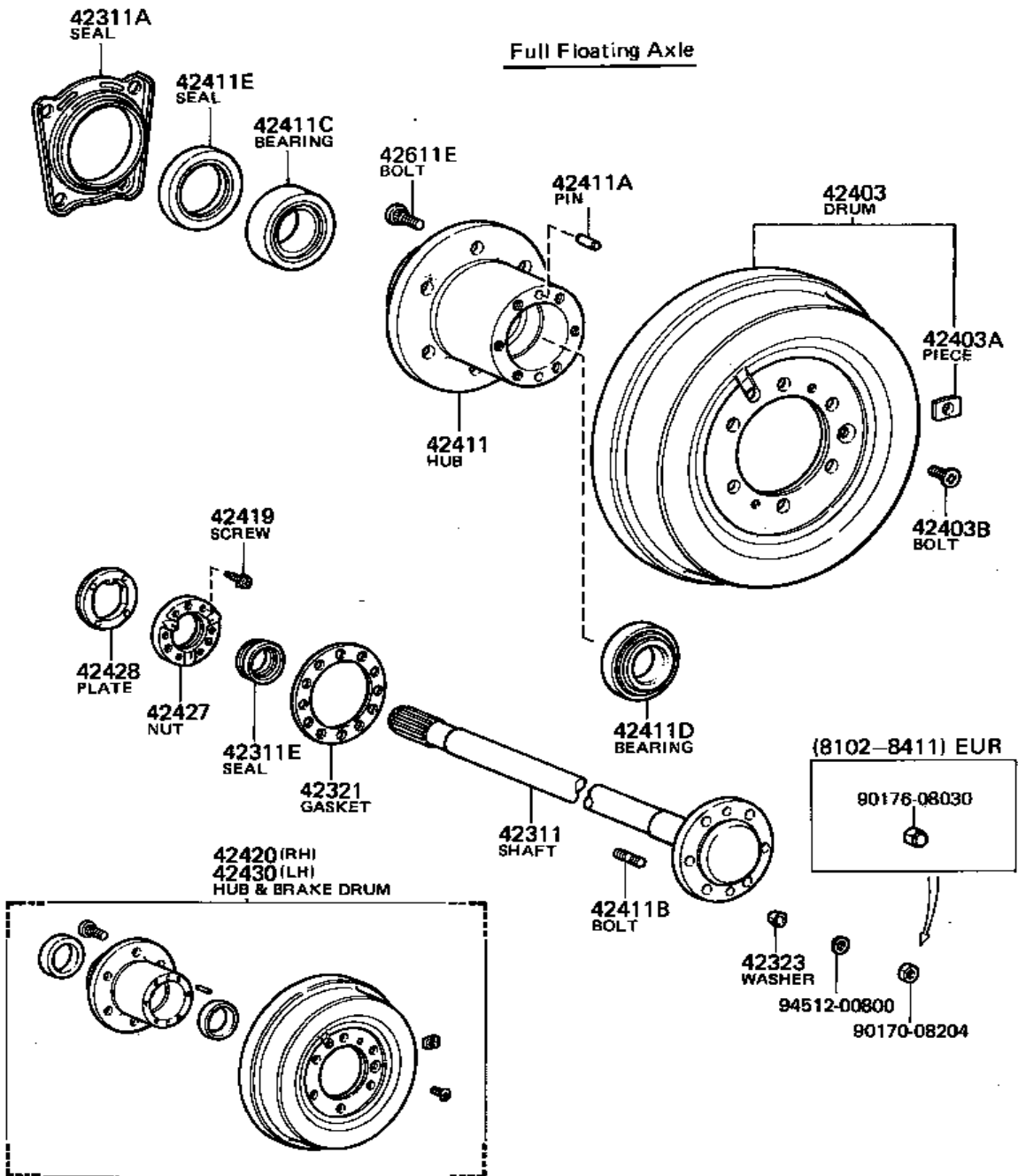
W/ Differential Lock



## Differential Lock



# Full Floating Axle



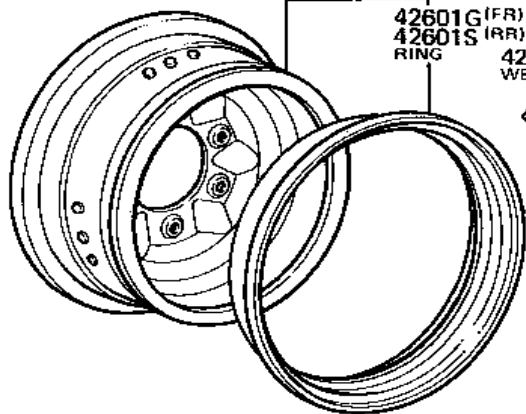
5.50F-15, 5.50F-16

6J-16, 5.5JJ-16, 7JJ-15

42601 F (FR)  
42601 R (RR)  
WHEEL

42601G (FR)  
42601S (RR)  
RING

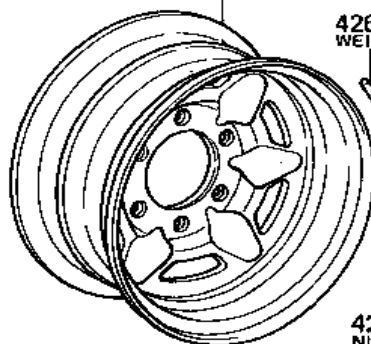
42601D  
WEIGHT



42601 F (FR)  
42601 R (RR)  
WHEEL

42601D  
WEIGHT

42601C  
NUT

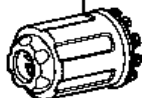


FR, RR (Full Floating Axle)

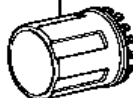
FR (Free Wheel Hub)

RR (Semi Floating Axle)

42603  
ORNAMENT



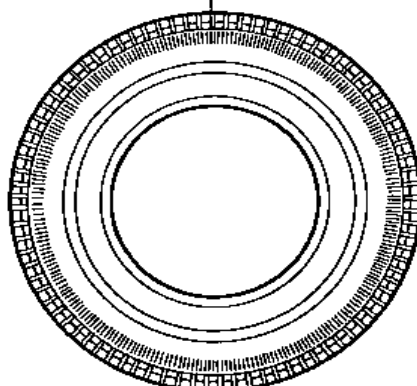
42603  
ORNAMENT



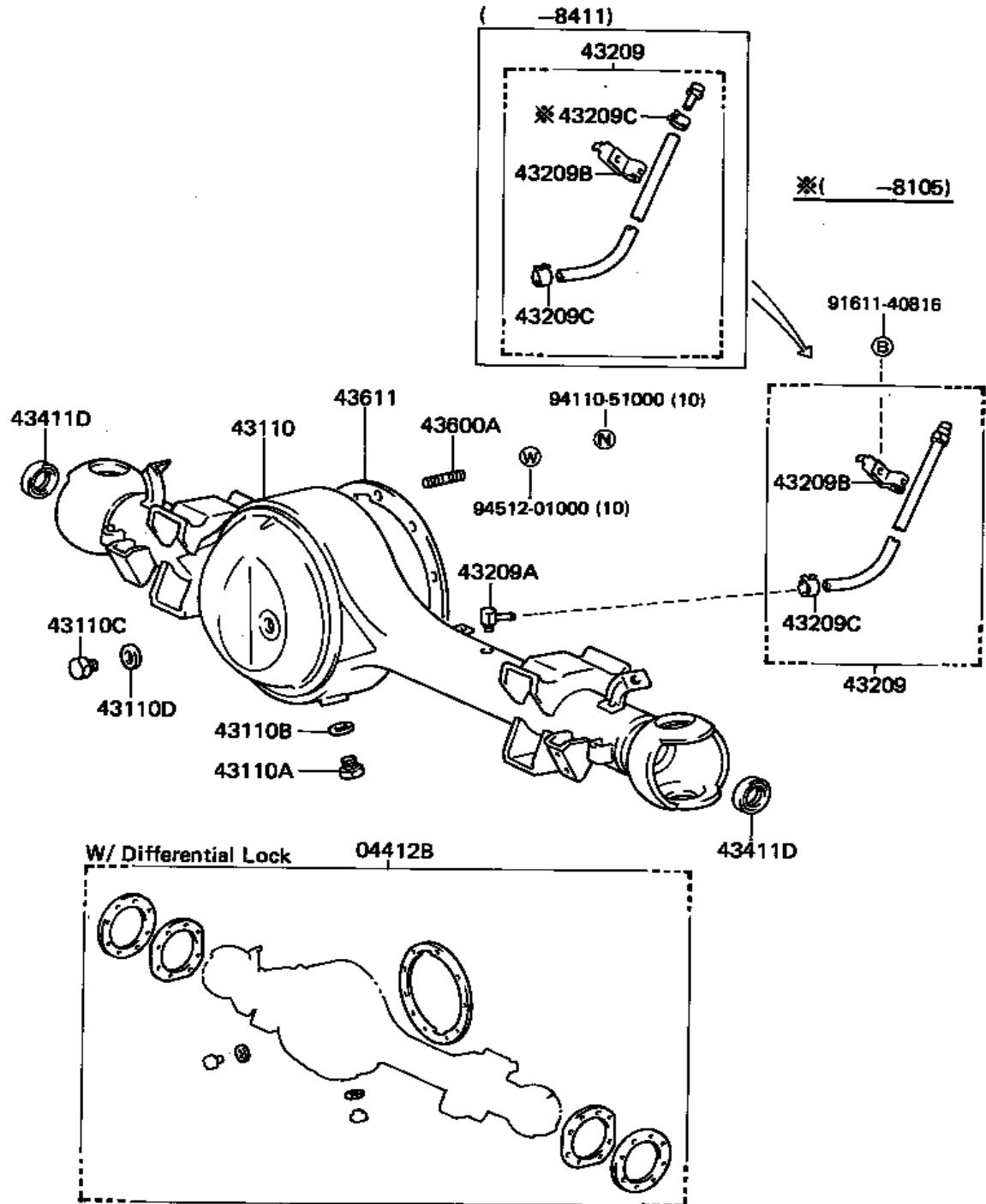
42603  
ORNAMENT

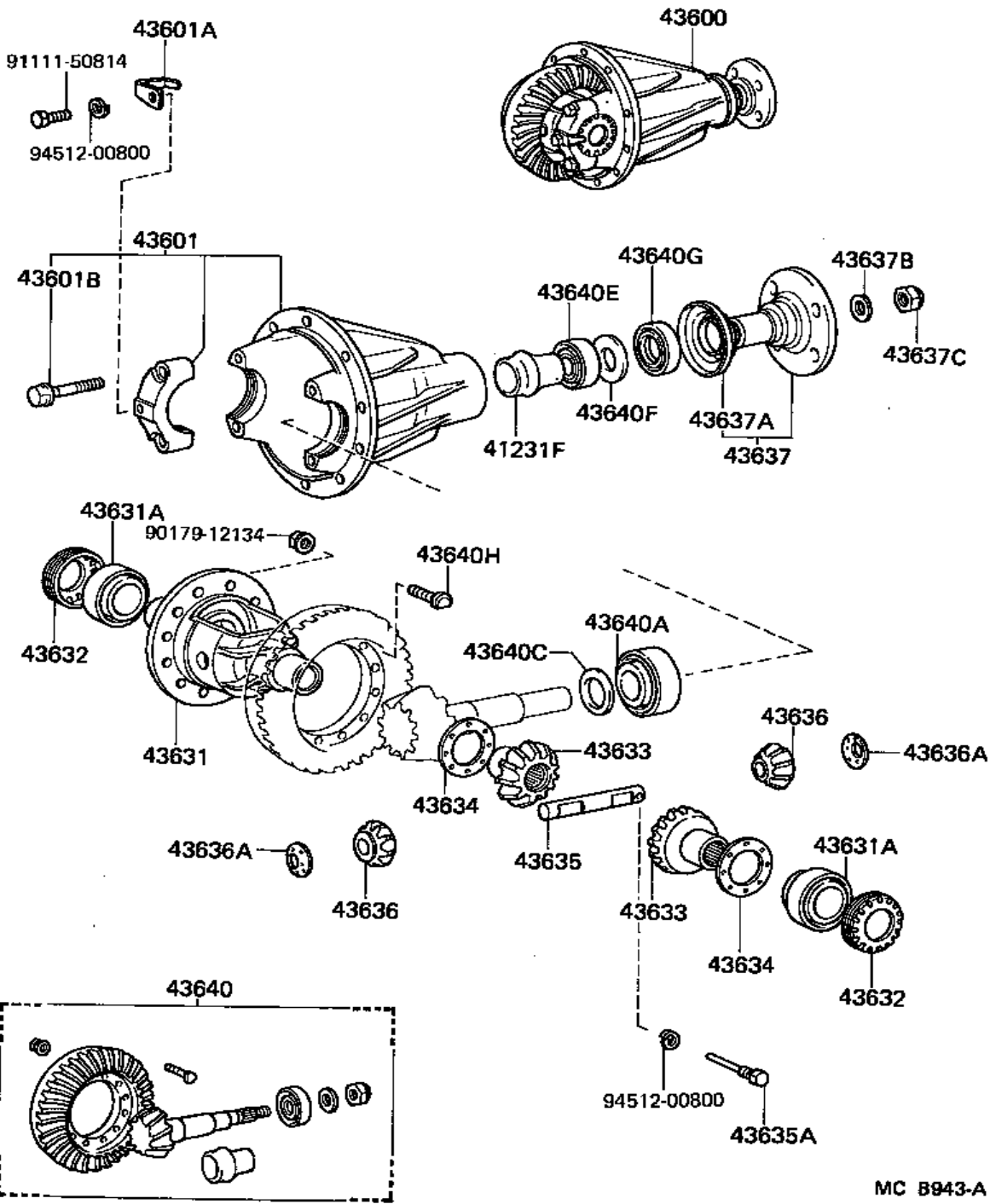


42611A  
TIRE TUBE SET

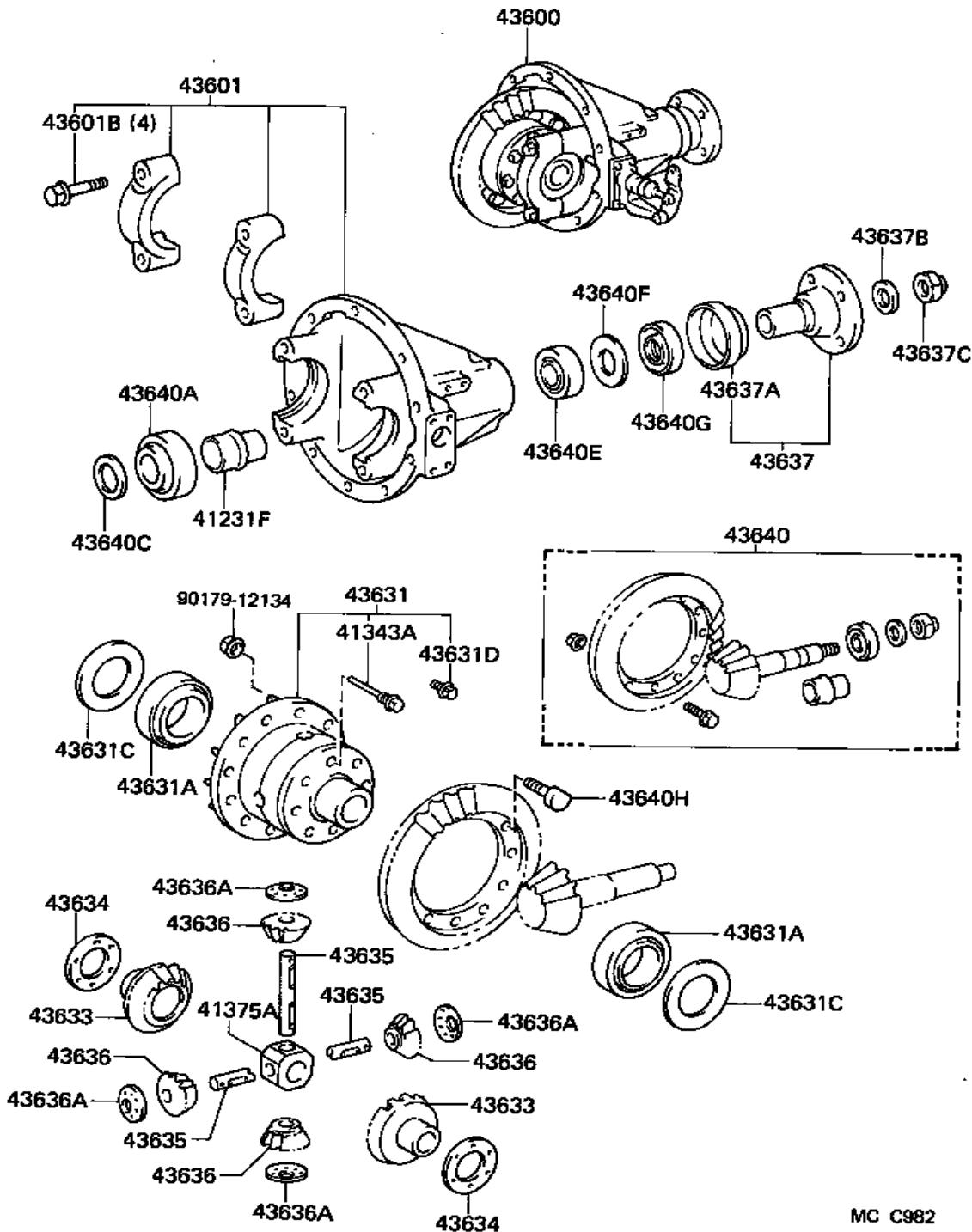




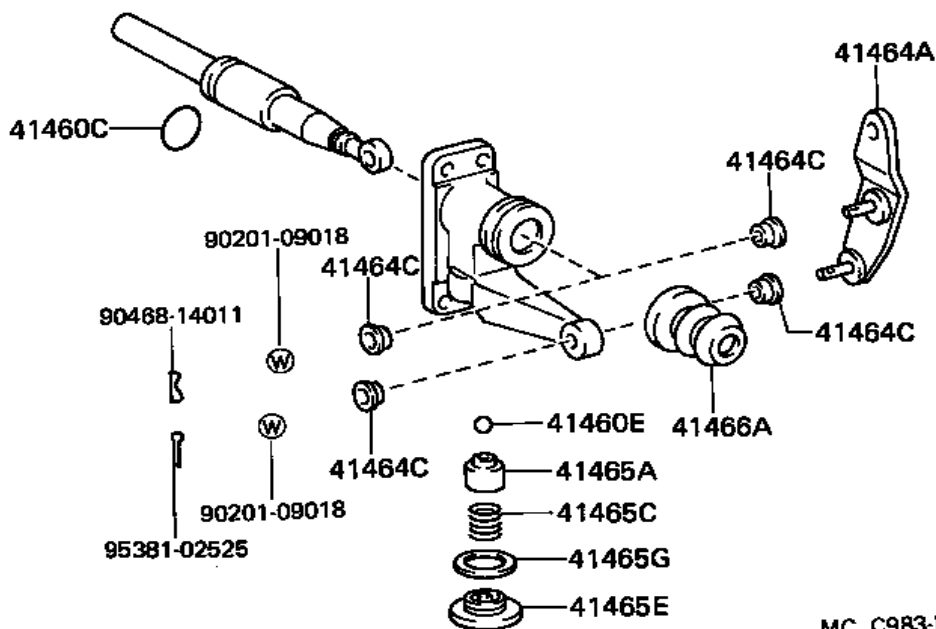
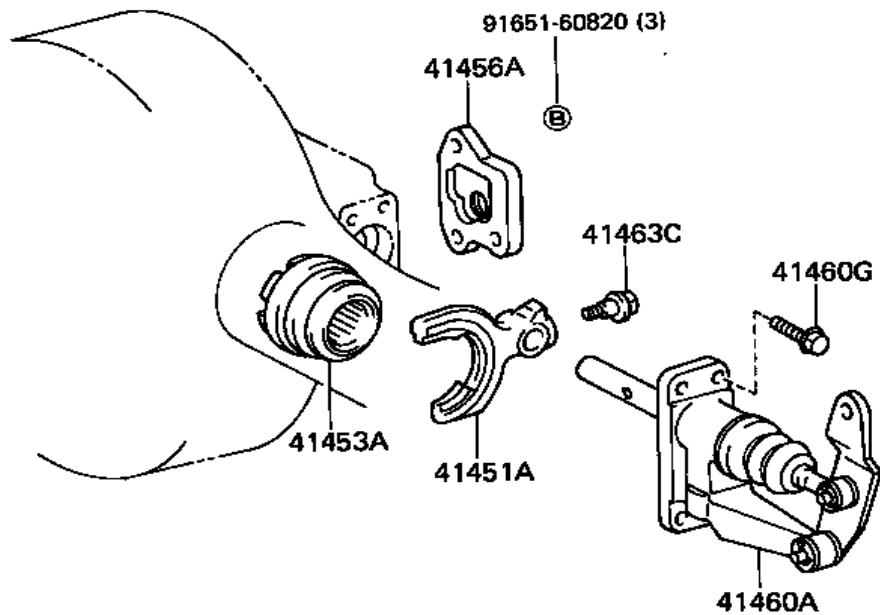


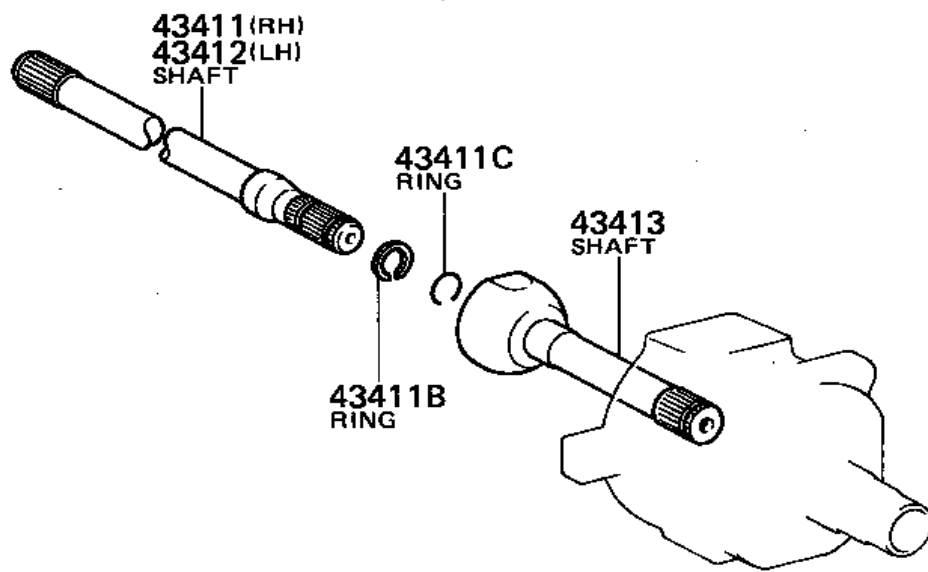


W/ Differential Lock



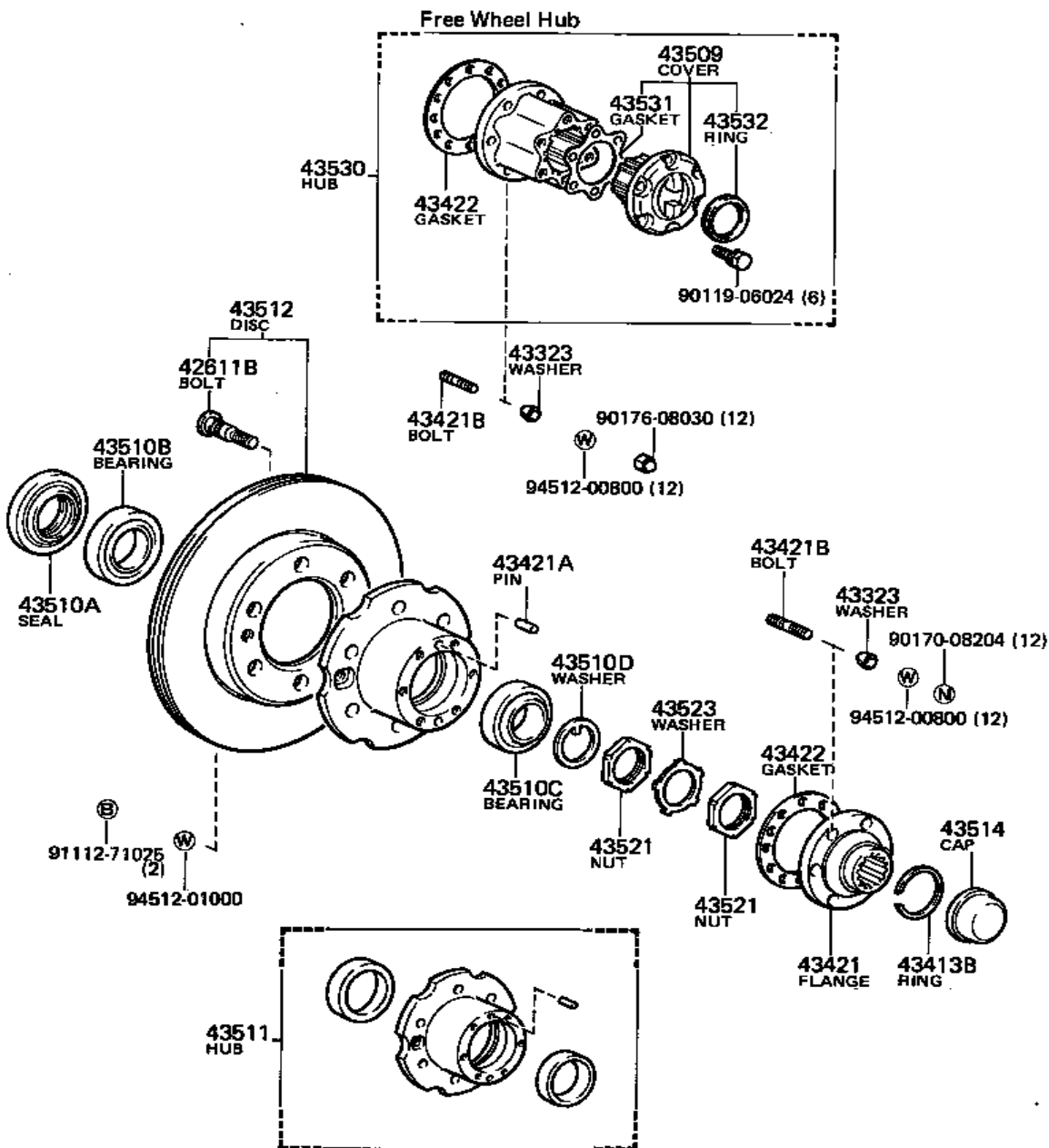
W/ Differential Lock



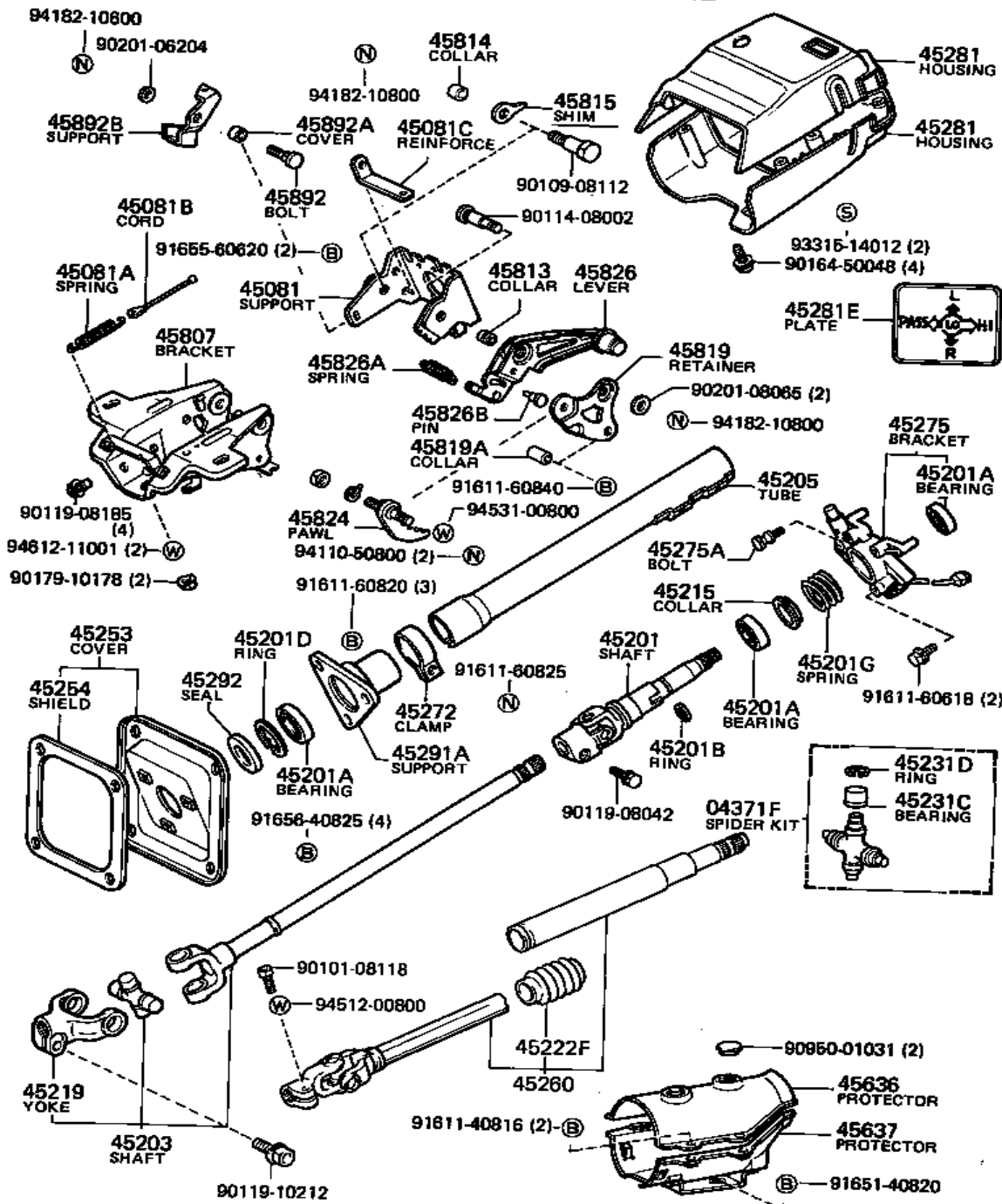


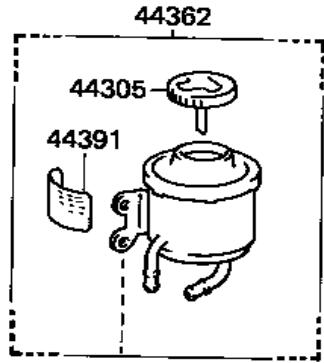
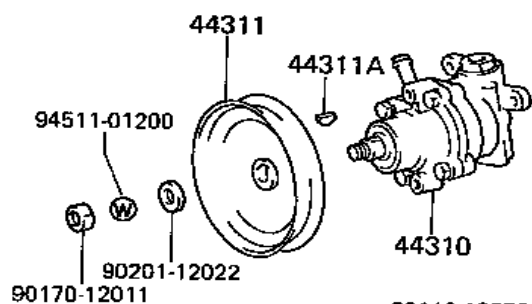
MC 8182

Disc Brake

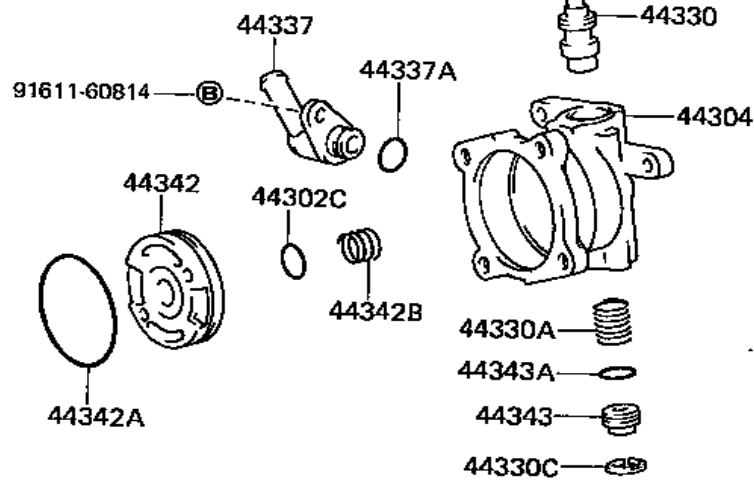
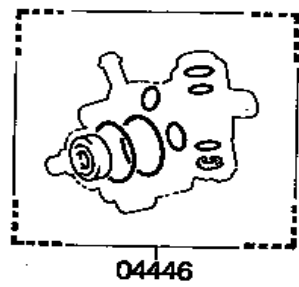
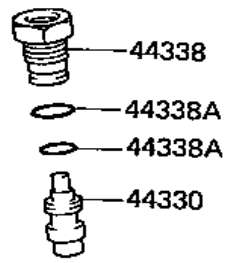
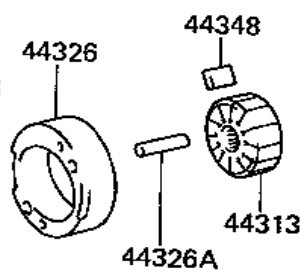
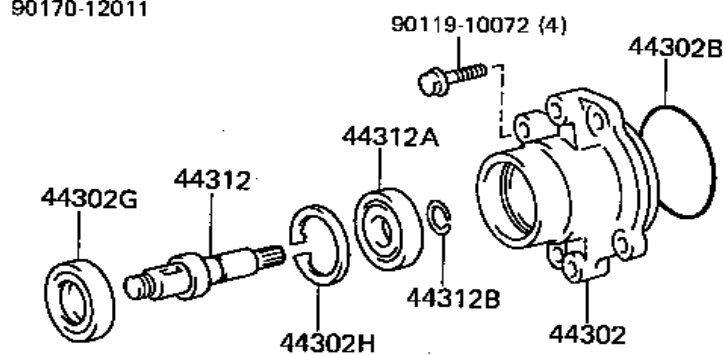


# Tilt & Rigid Steering

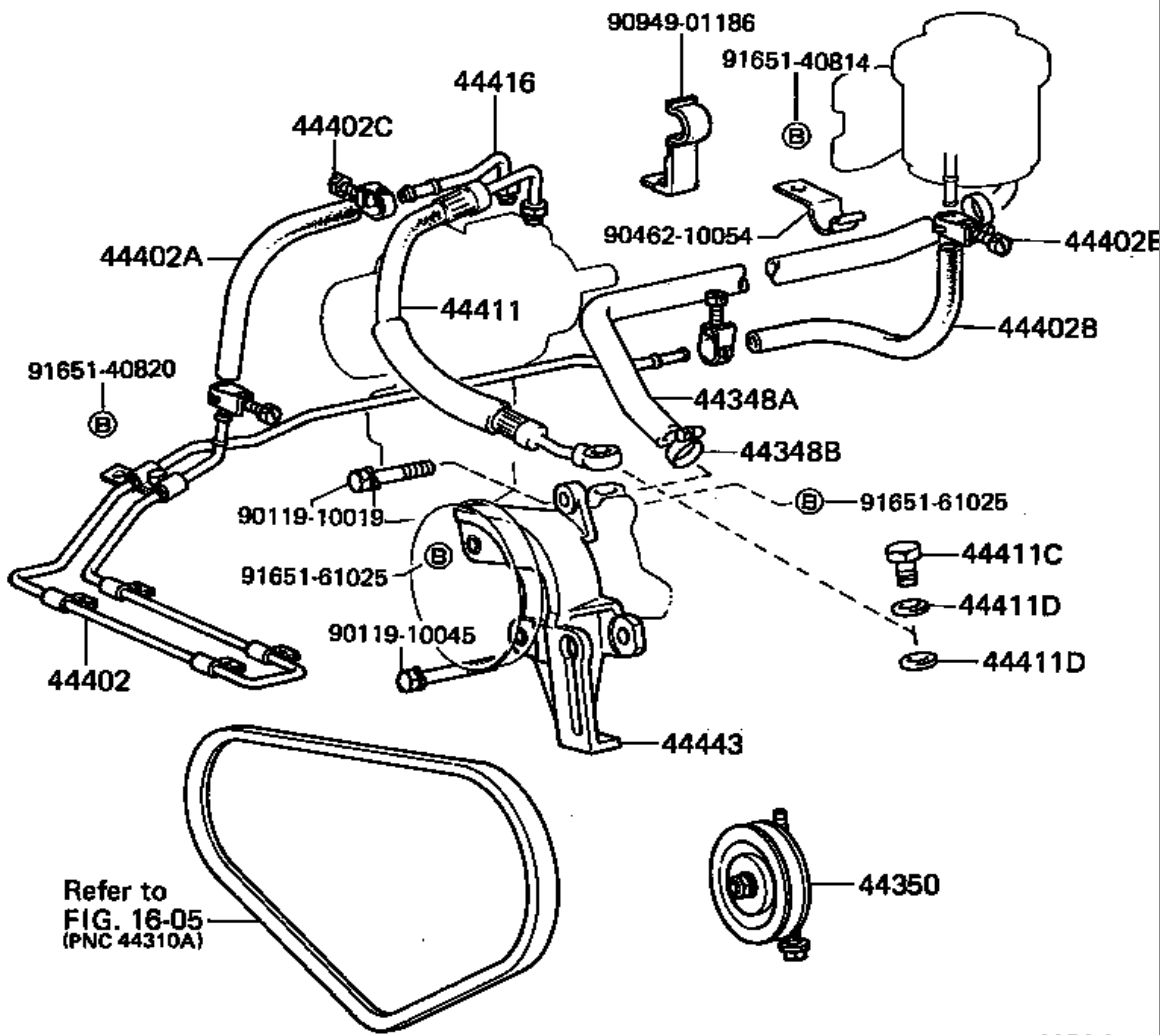




91611-40816 — (B)

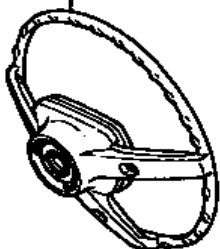






MC C984-A

45100  
WHEEL

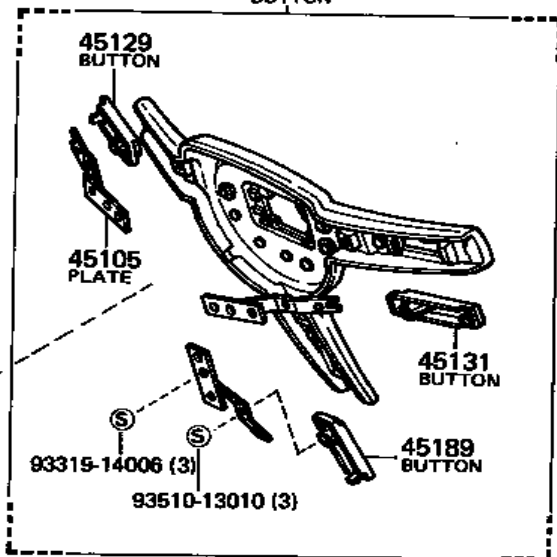


45201P  
NUT



45125  
MARK

45130  
BUTTON

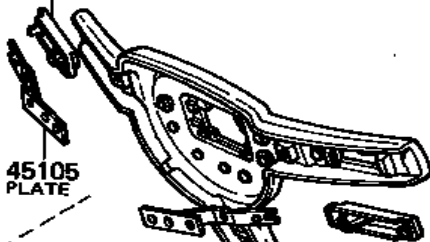


93510-13010 (3)

45194A  
PLATE



45129  
BUTTON



45105  
PLATE

45131  
BUTTON



45189  
BUTTON



93315-14006 (3)

93510-13010 (3)

45207  
RING



93510-13010 (3)

93315-15016 (3)

45136A  
CORD



45100  
WHEEL



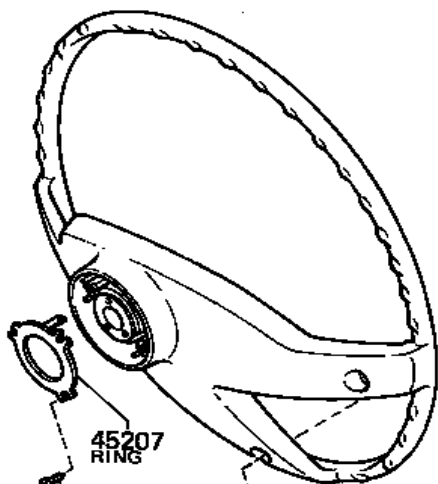
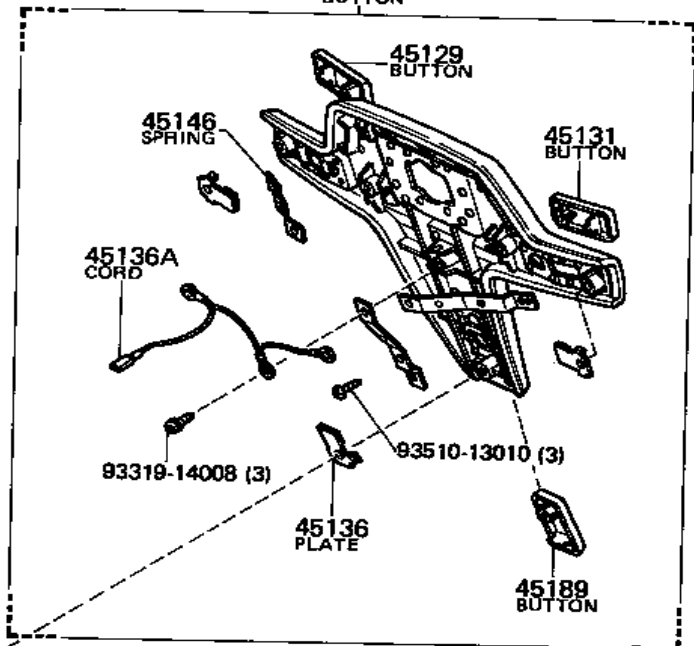
45201P  
NUT



45125  
MARK



45130  
BUTTON



45207  
RING

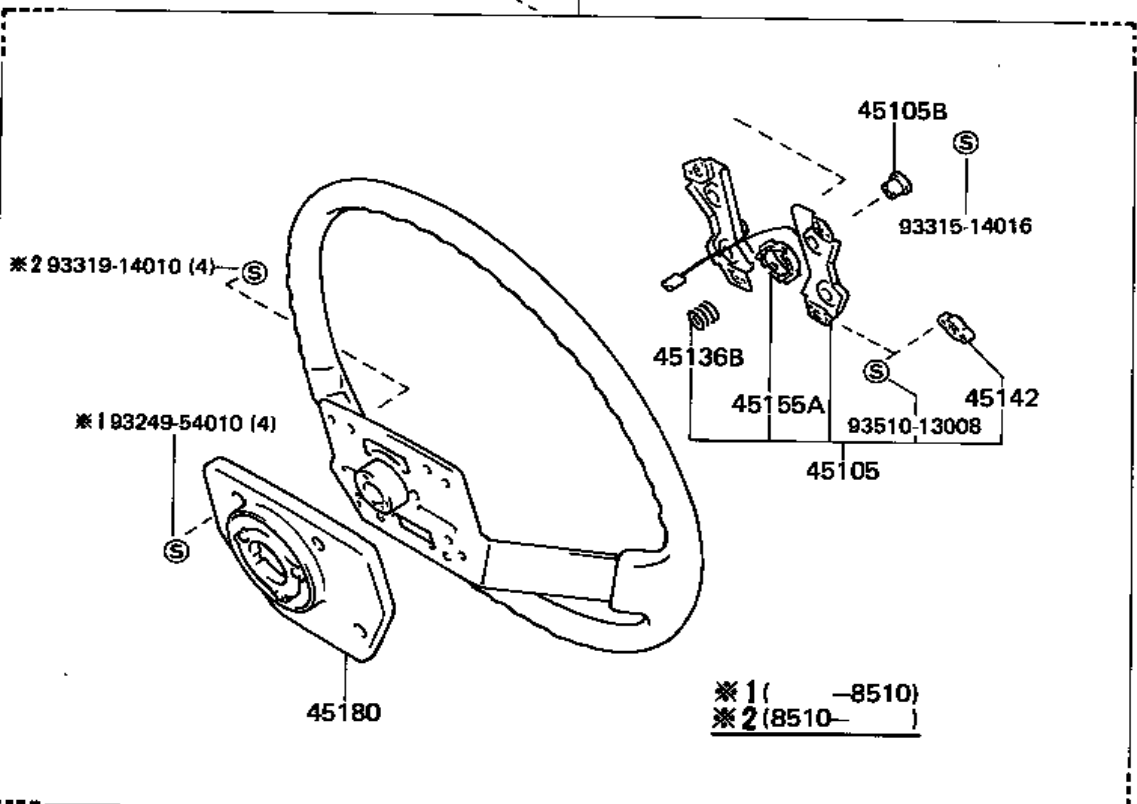
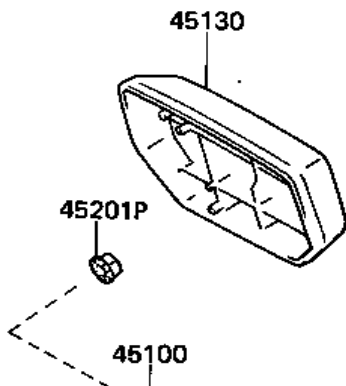


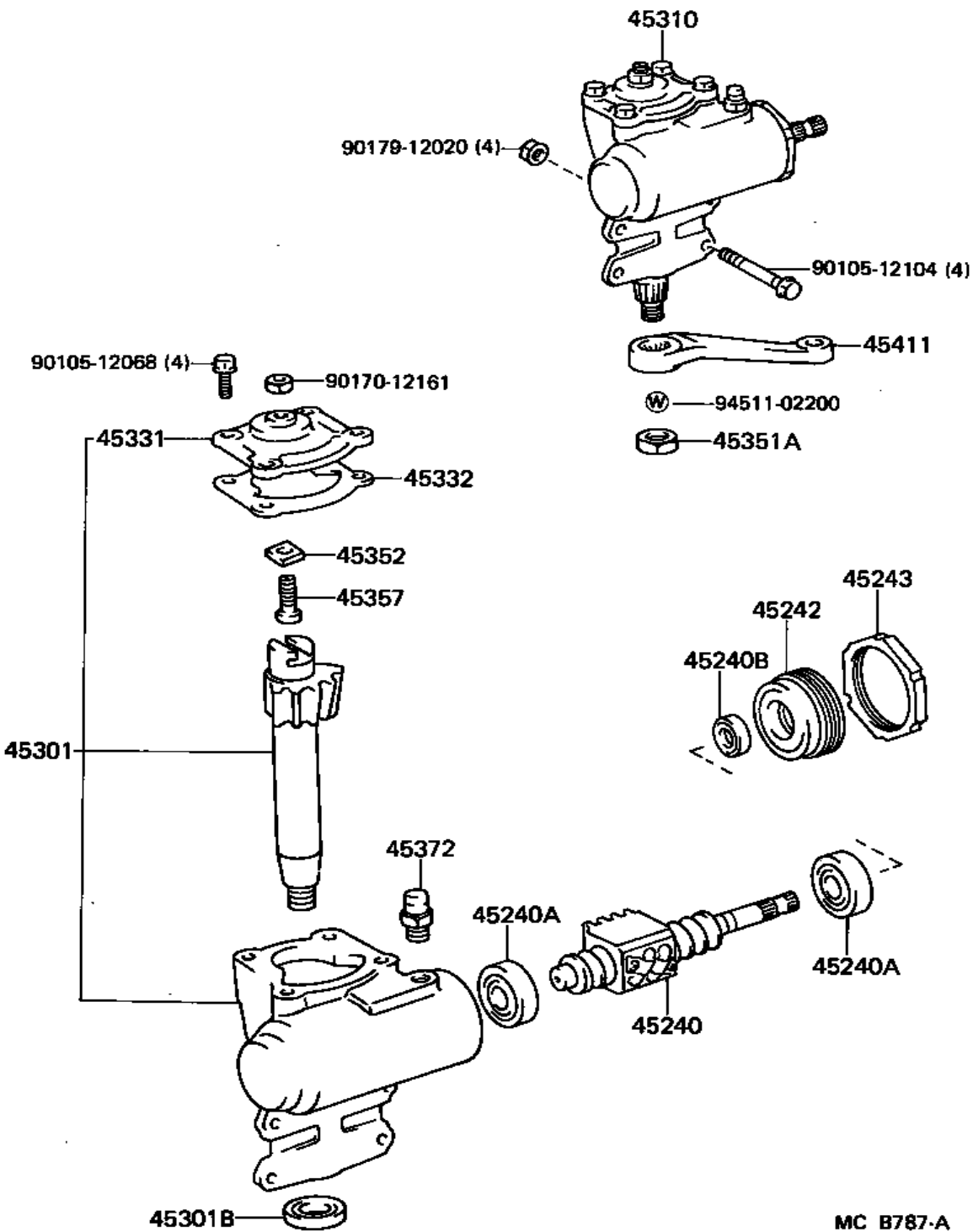
93510-13010 (3)

93319-15014 (3)

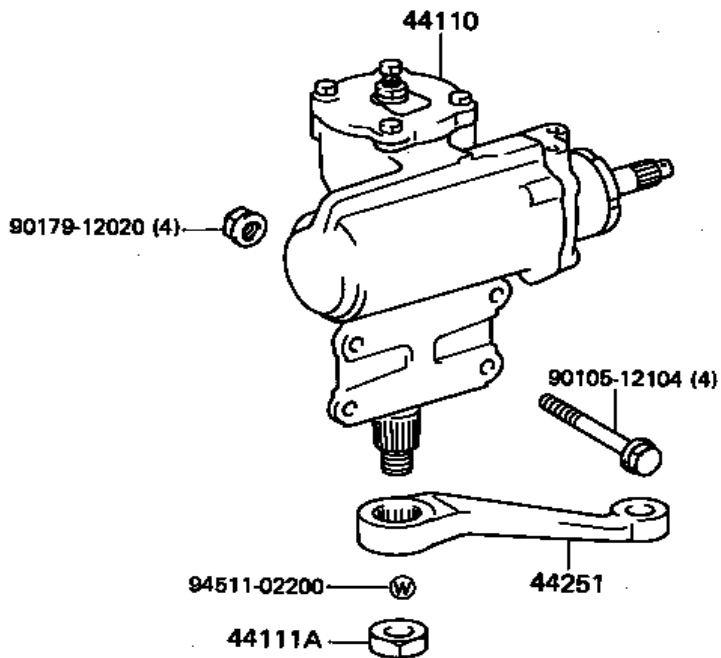
MC 6871-B

Urethane

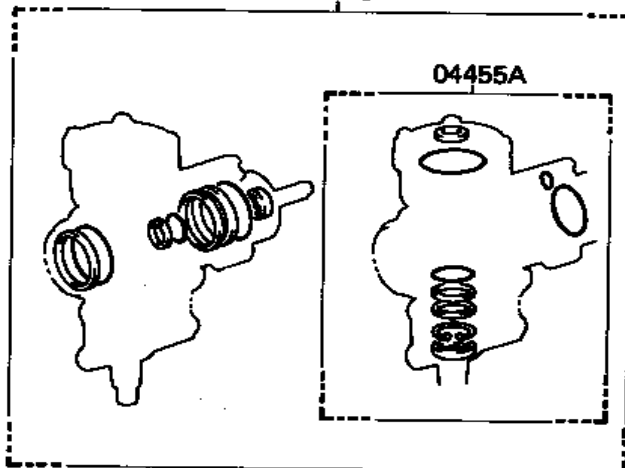




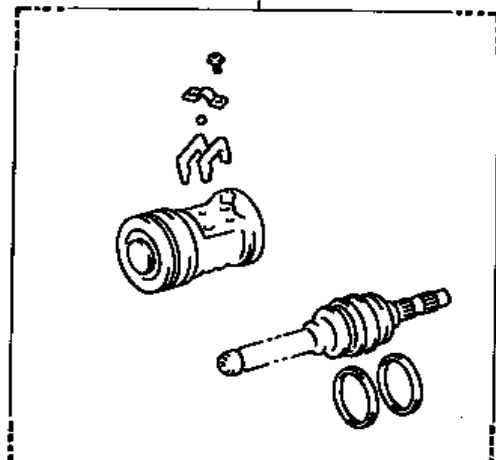
W/ Power Steering



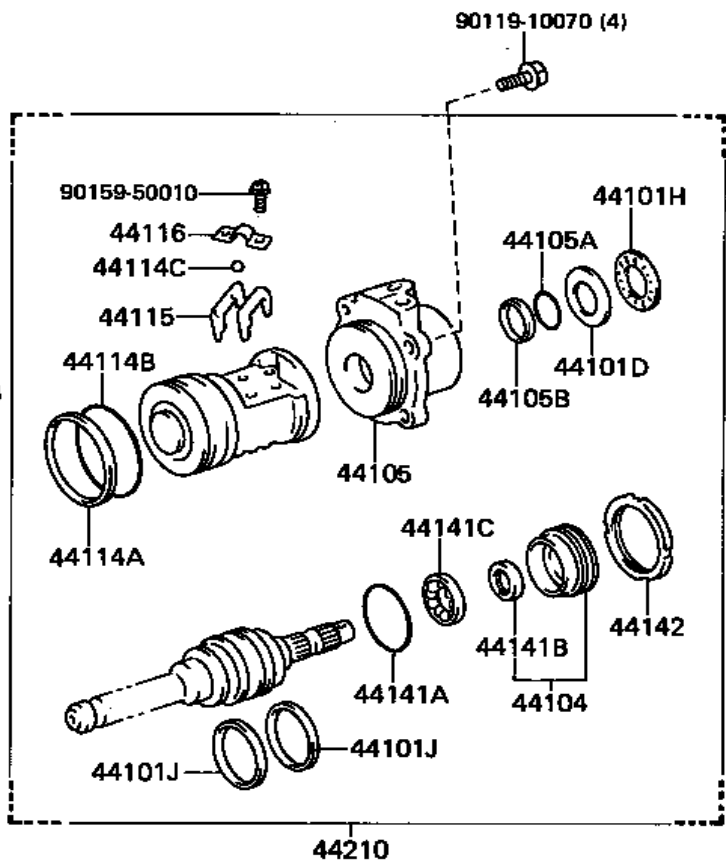
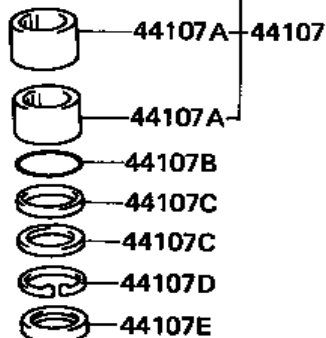
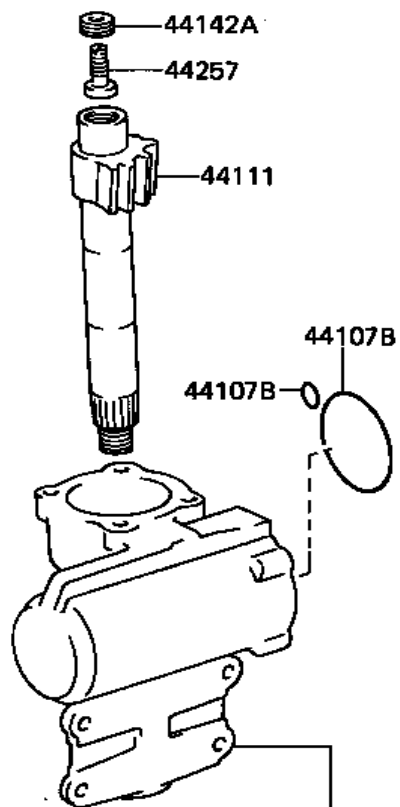
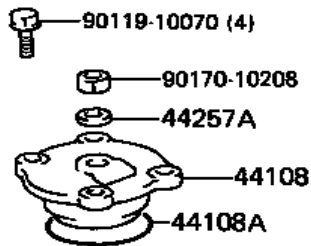
04445



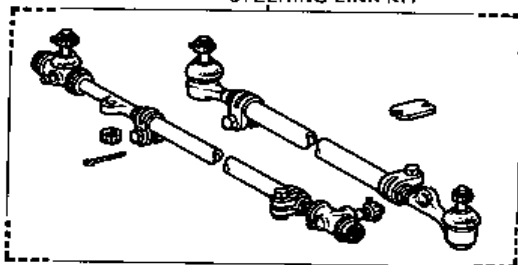
04044



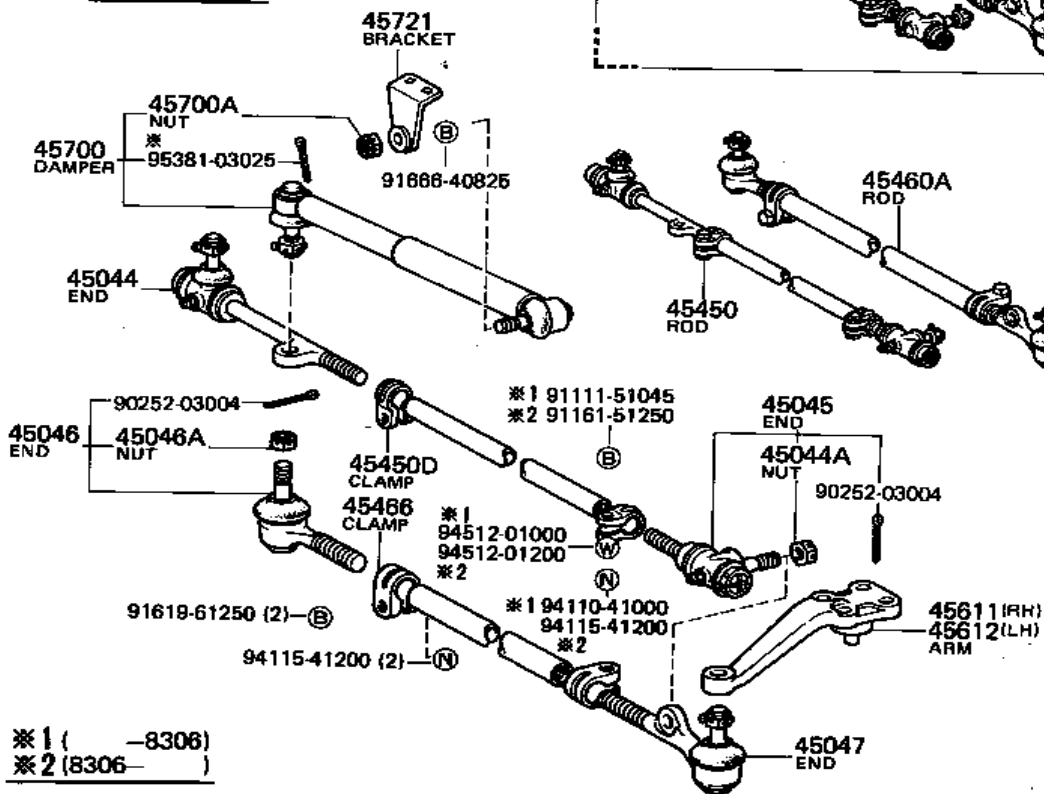
MC B789-B



04459  
STEERING LINK KIT

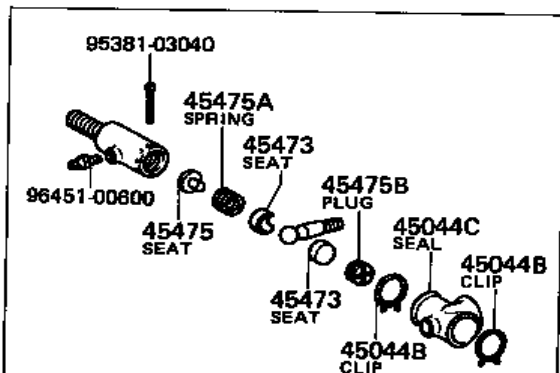
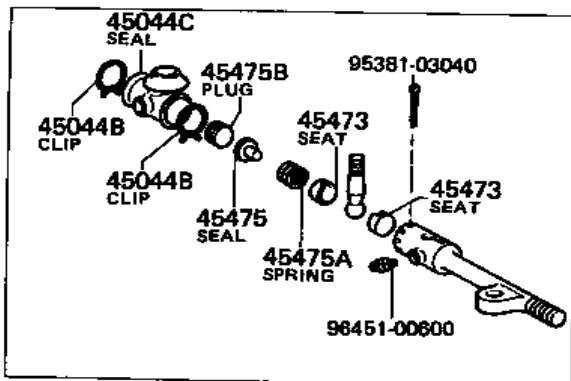


※ ( —8411)

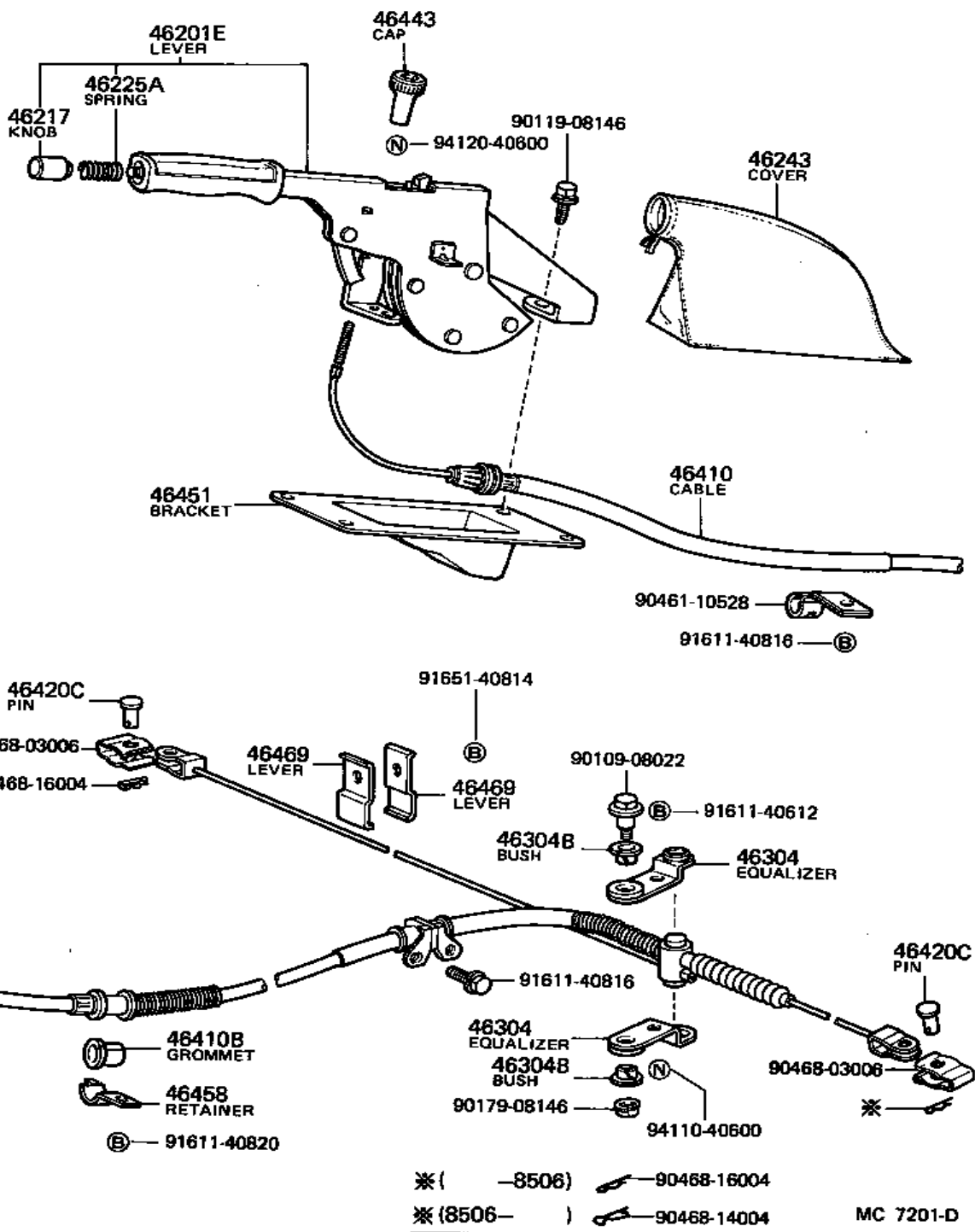


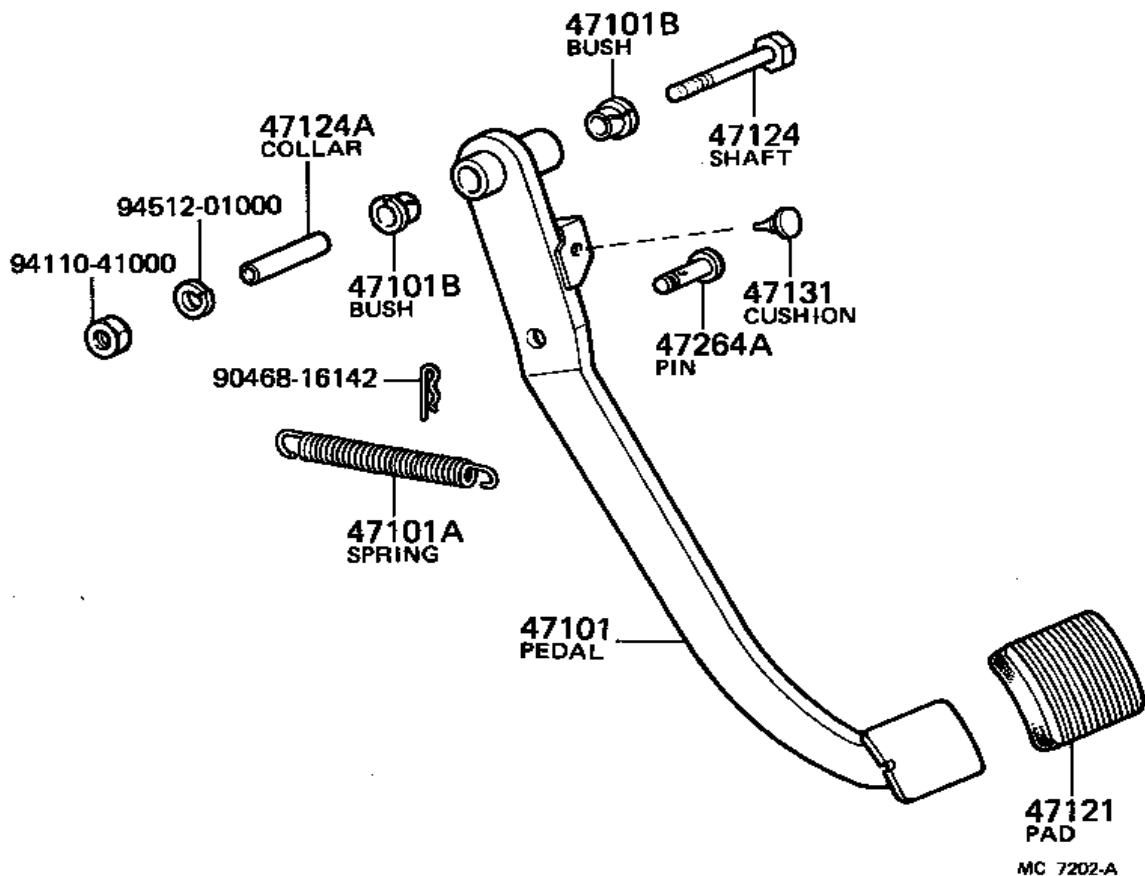
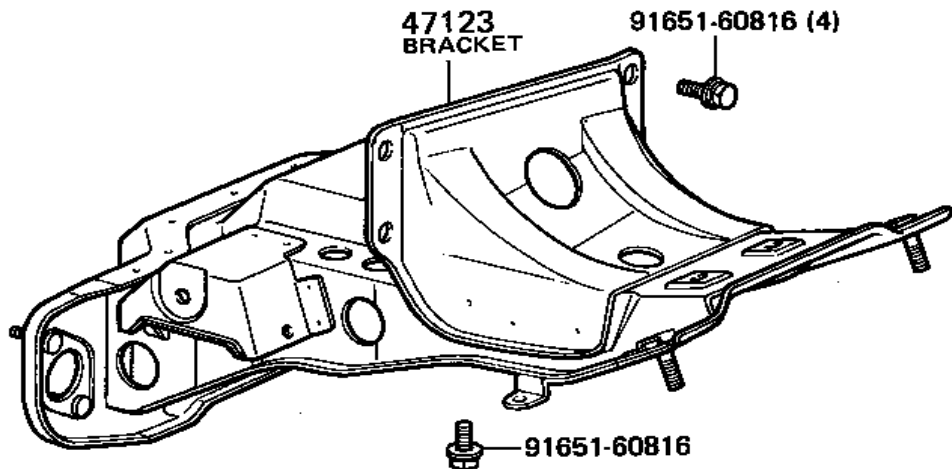
※1 ( —8306)

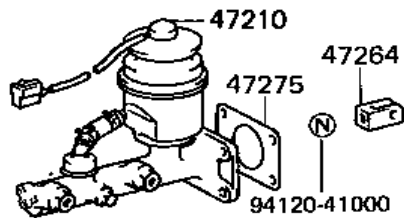
※2 (8306—)



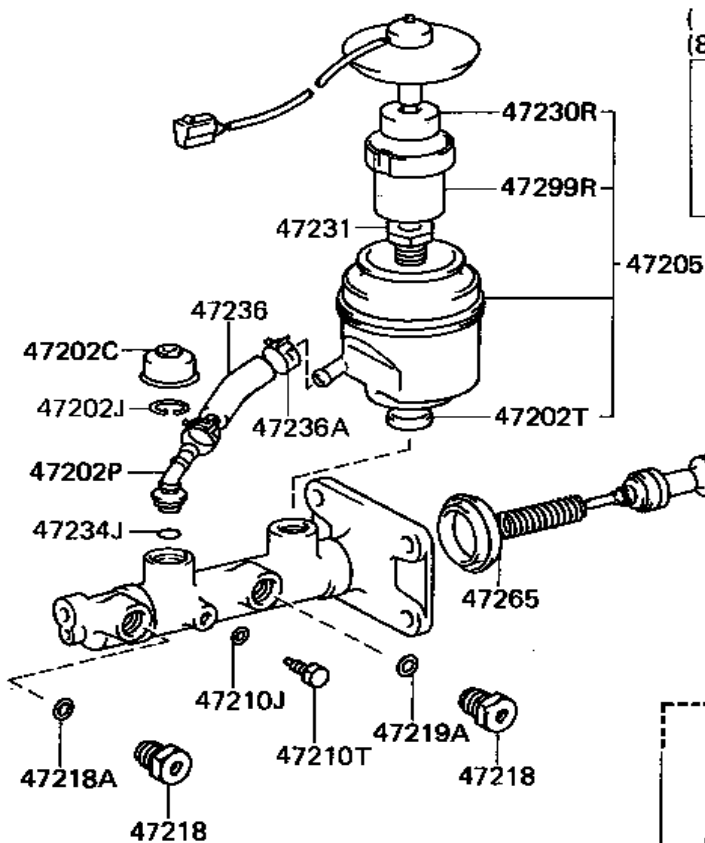




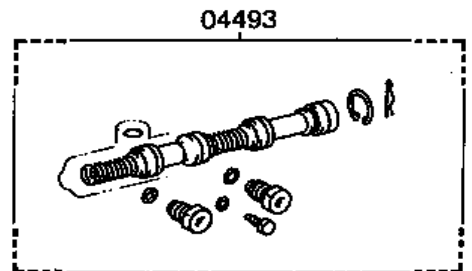
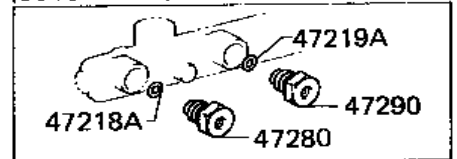




90179-08038 (4)

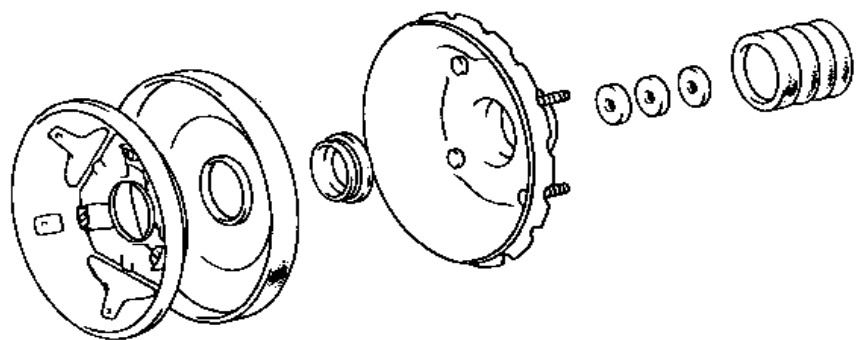
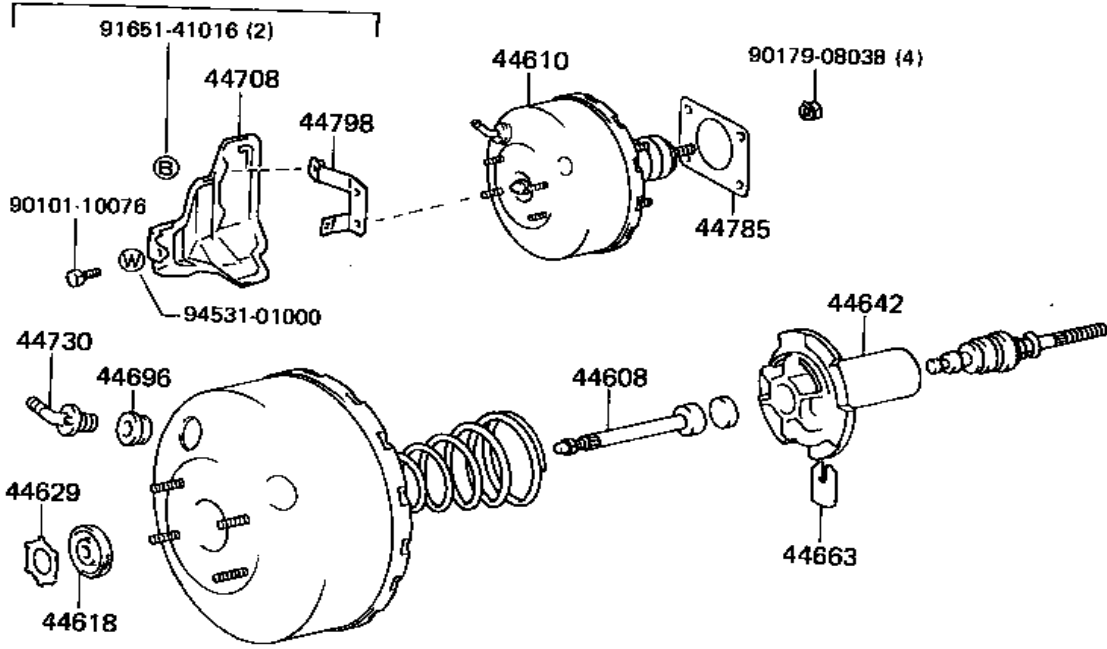


(-8510)  
(8510- ) FR DRUM BRAKE

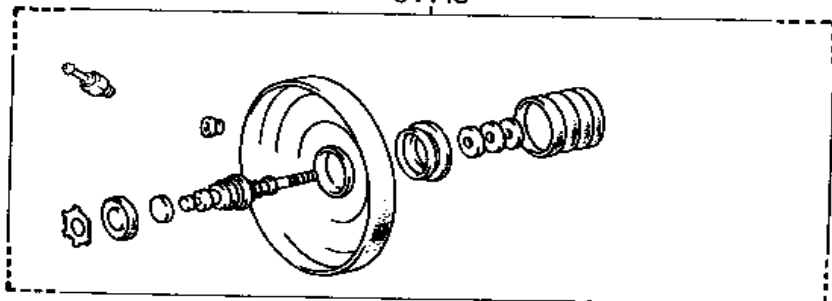


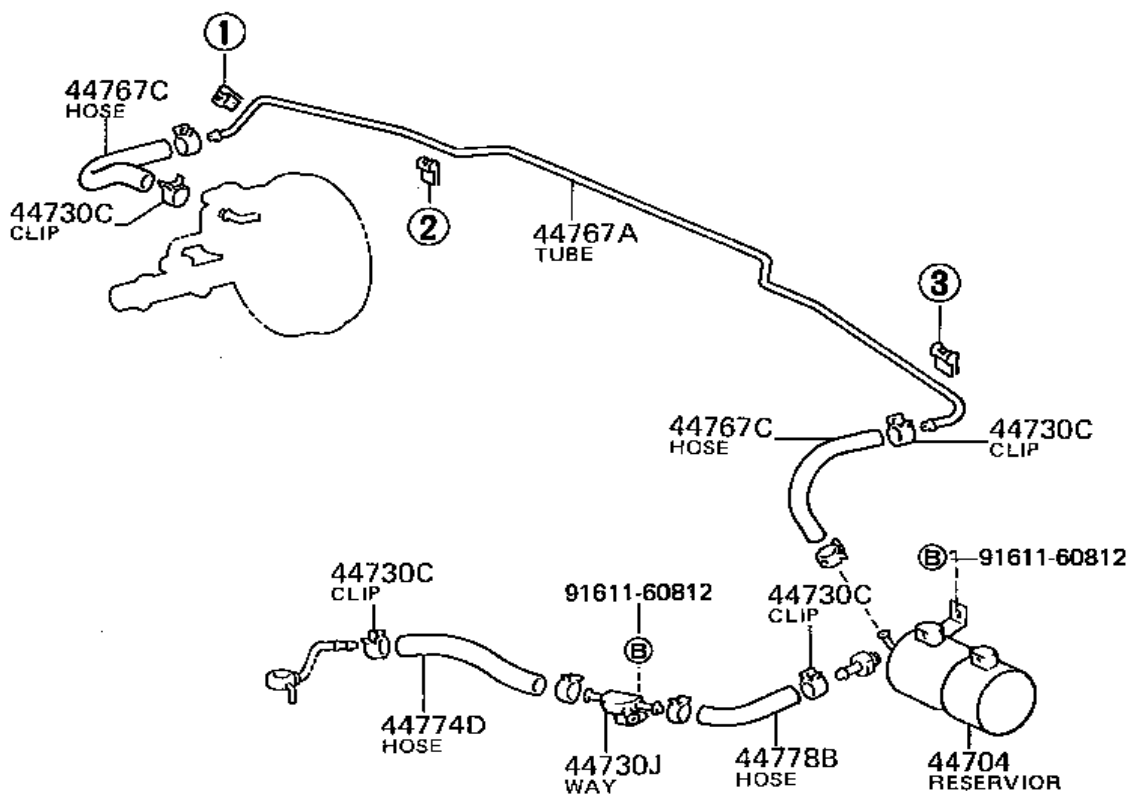
MC C998-C

HJ61 .. EUR



04443





①

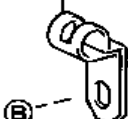
90461-08050



91611-60812

②

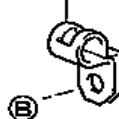
90461-08643



91611-60812

③

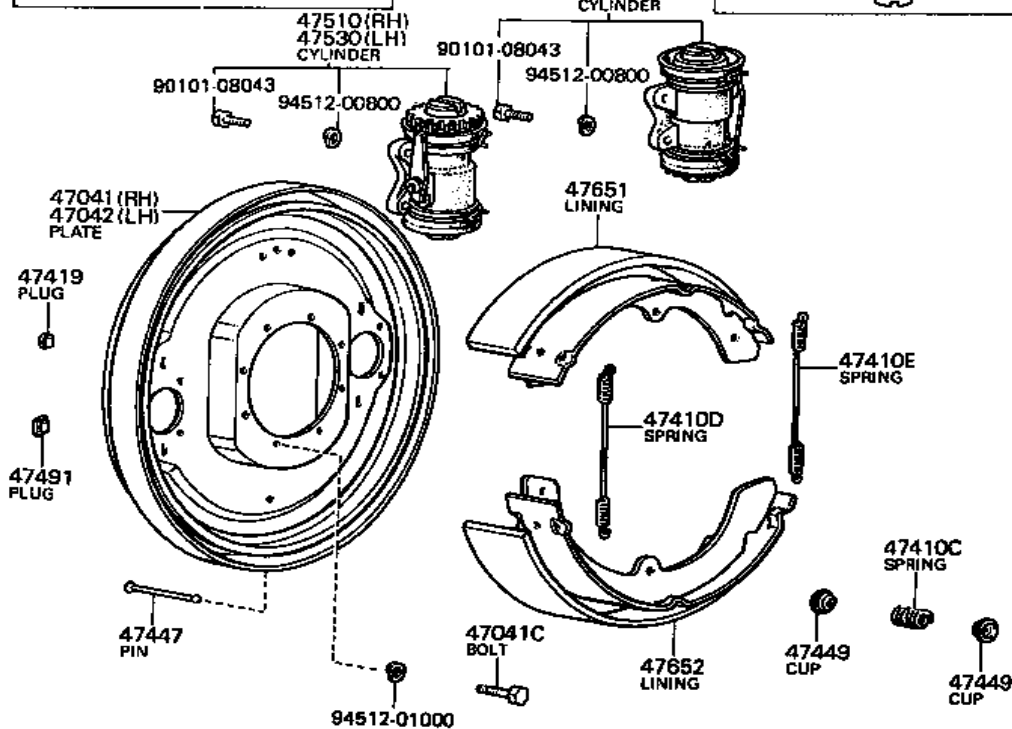
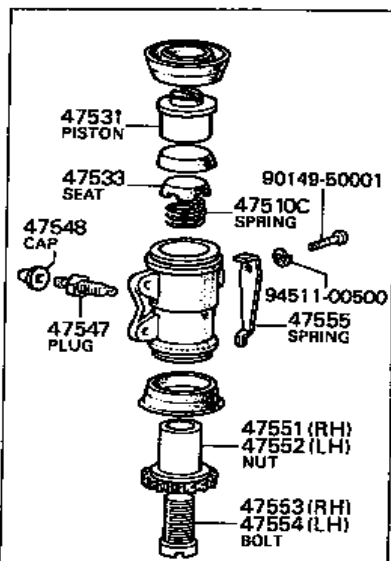
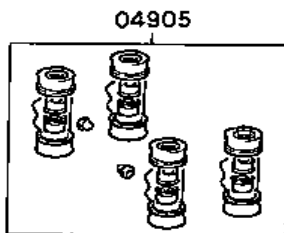
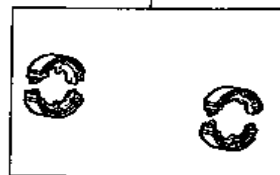
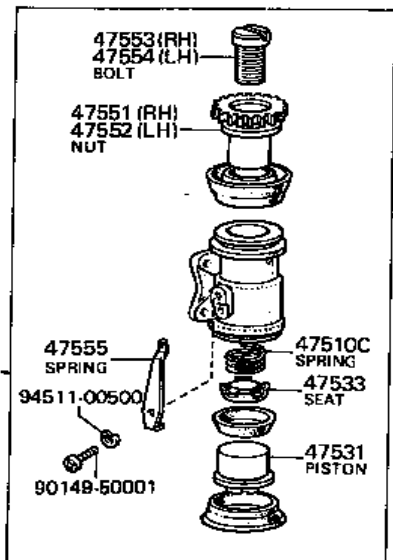
90461-08642

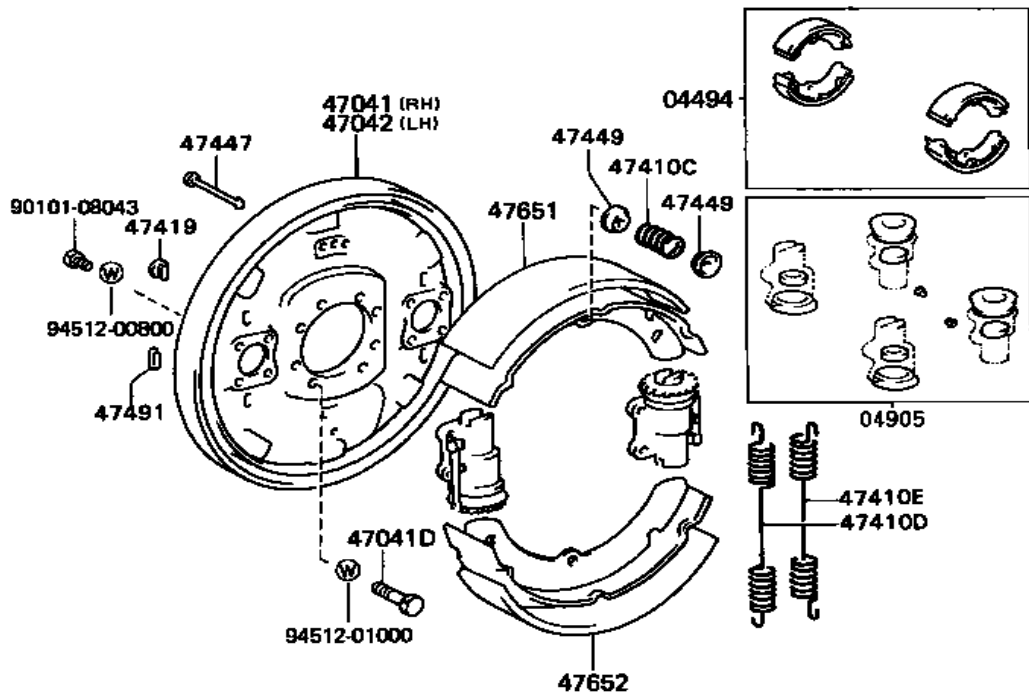


91611-60812

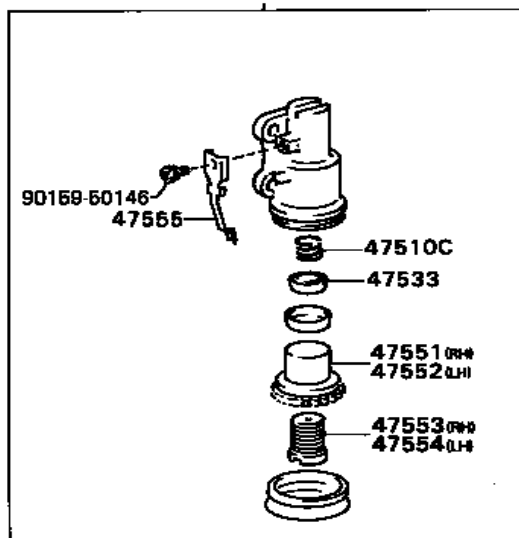
MC D013-B

47410L  
SHOE KIT

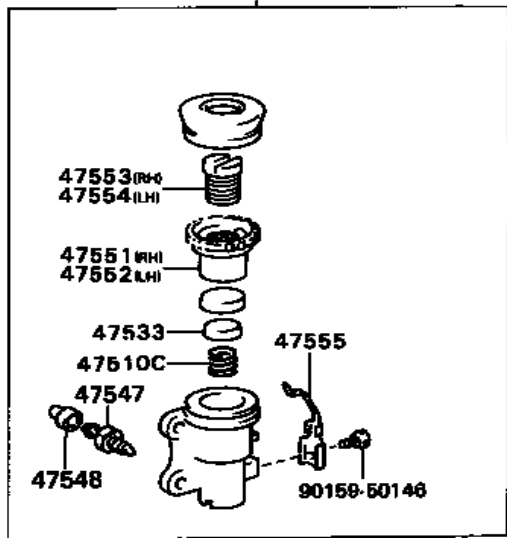


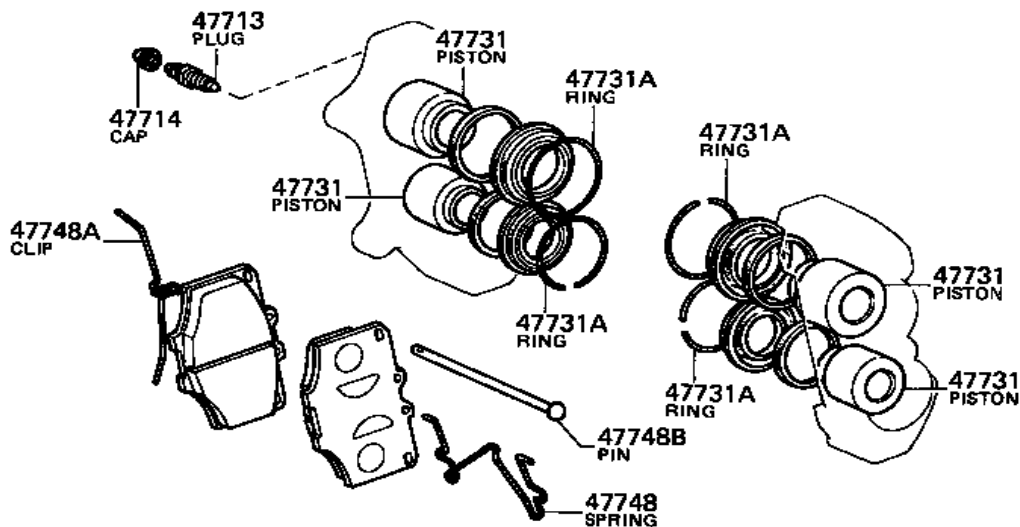
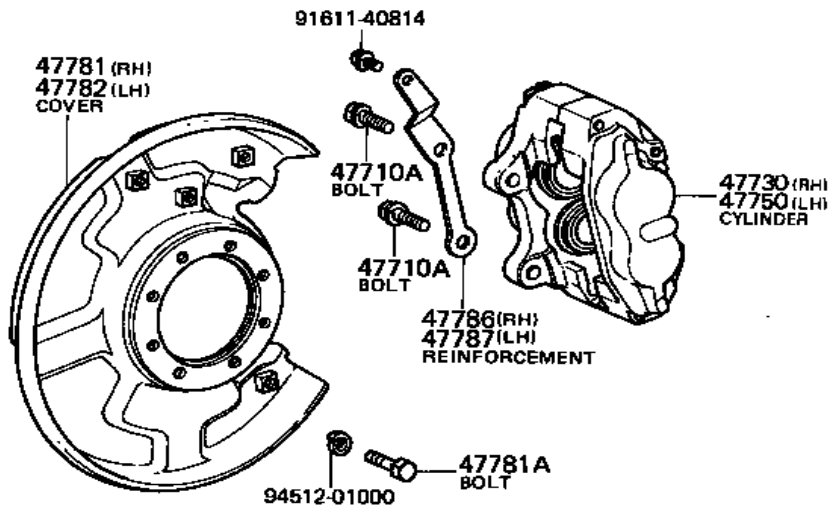


47510RH  
 47530LH

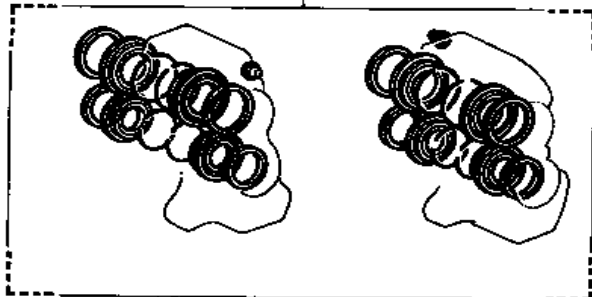


47520RH  
 47540LH

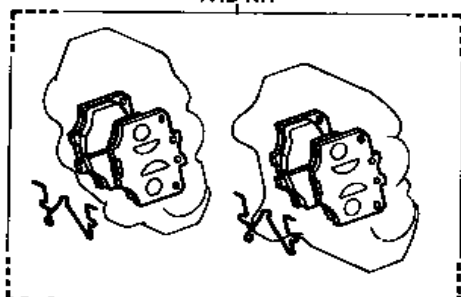




04479  
CYLINDER KIT



04491  
PAD KIT

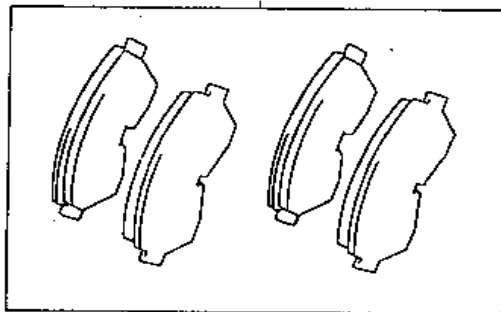




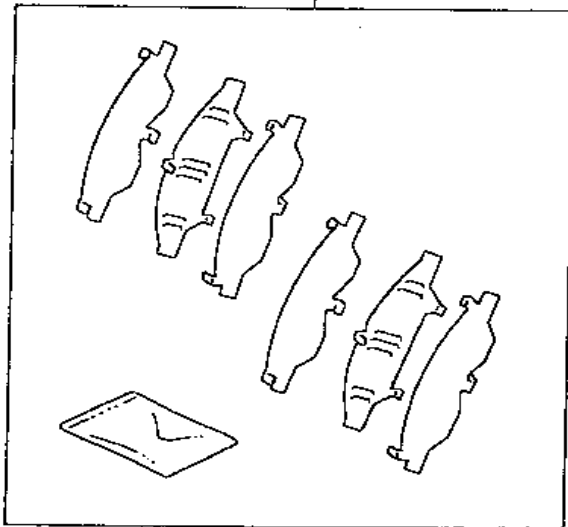
CAUTION

THE COMPONENT PARTS FOR PNC'S 04465, 04945 AND 04947 DO NOT ALWAYS MATCH THESE ILLUSTRATIONS. (EX. SHAPE, QUANTITIES..ETC.) BECAUSE THESE ILLUSTRATIONS ARE USED IN COMMON.

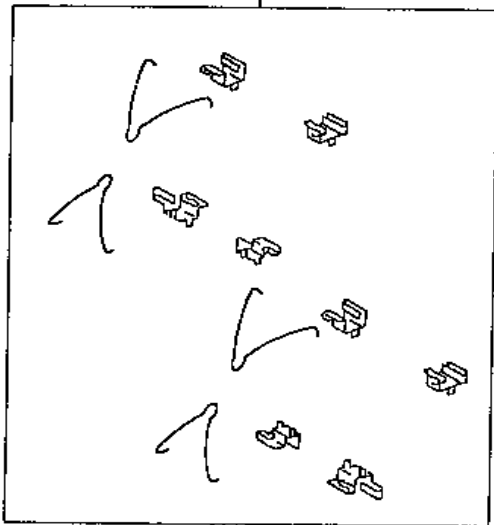
04465

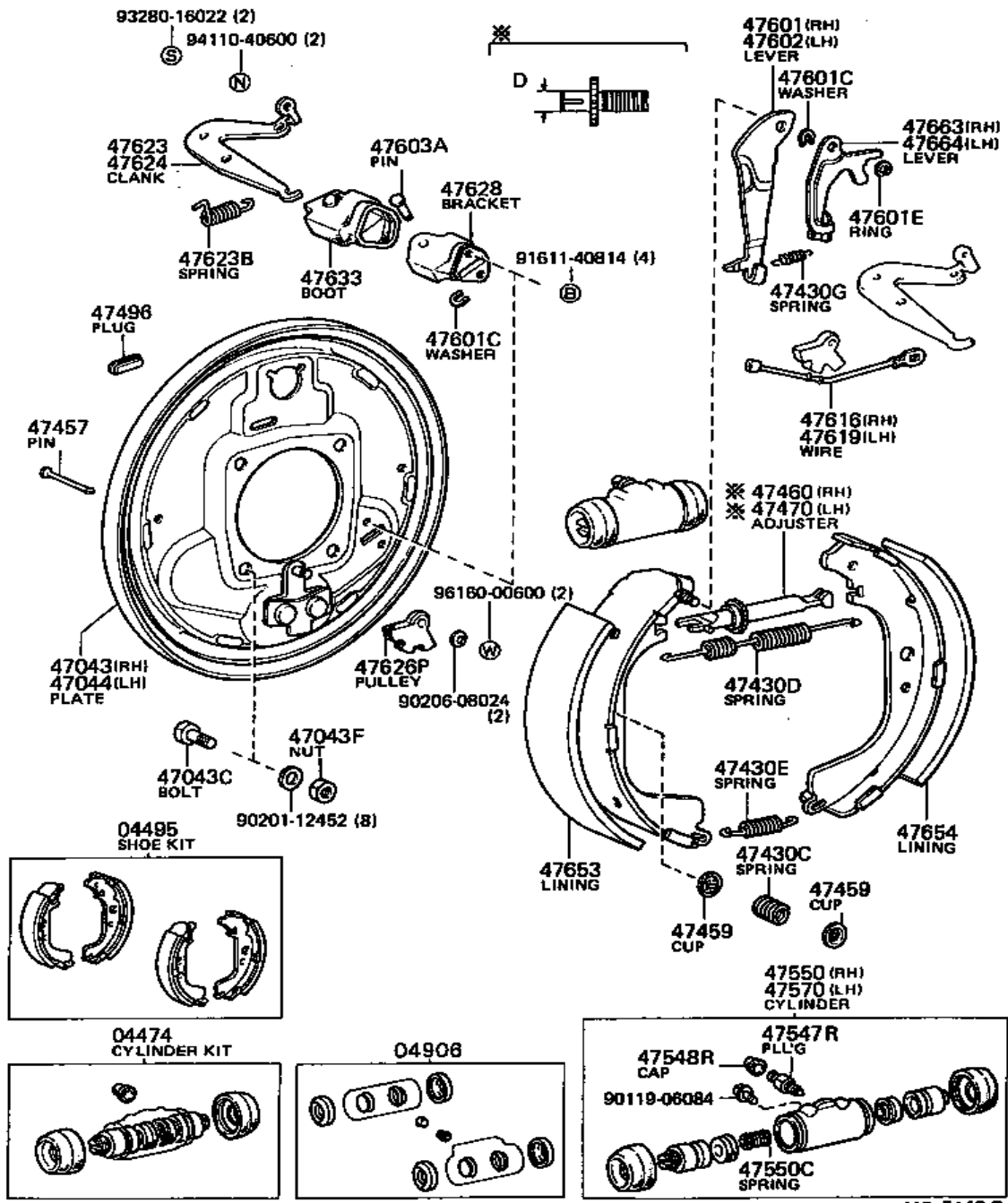


04945

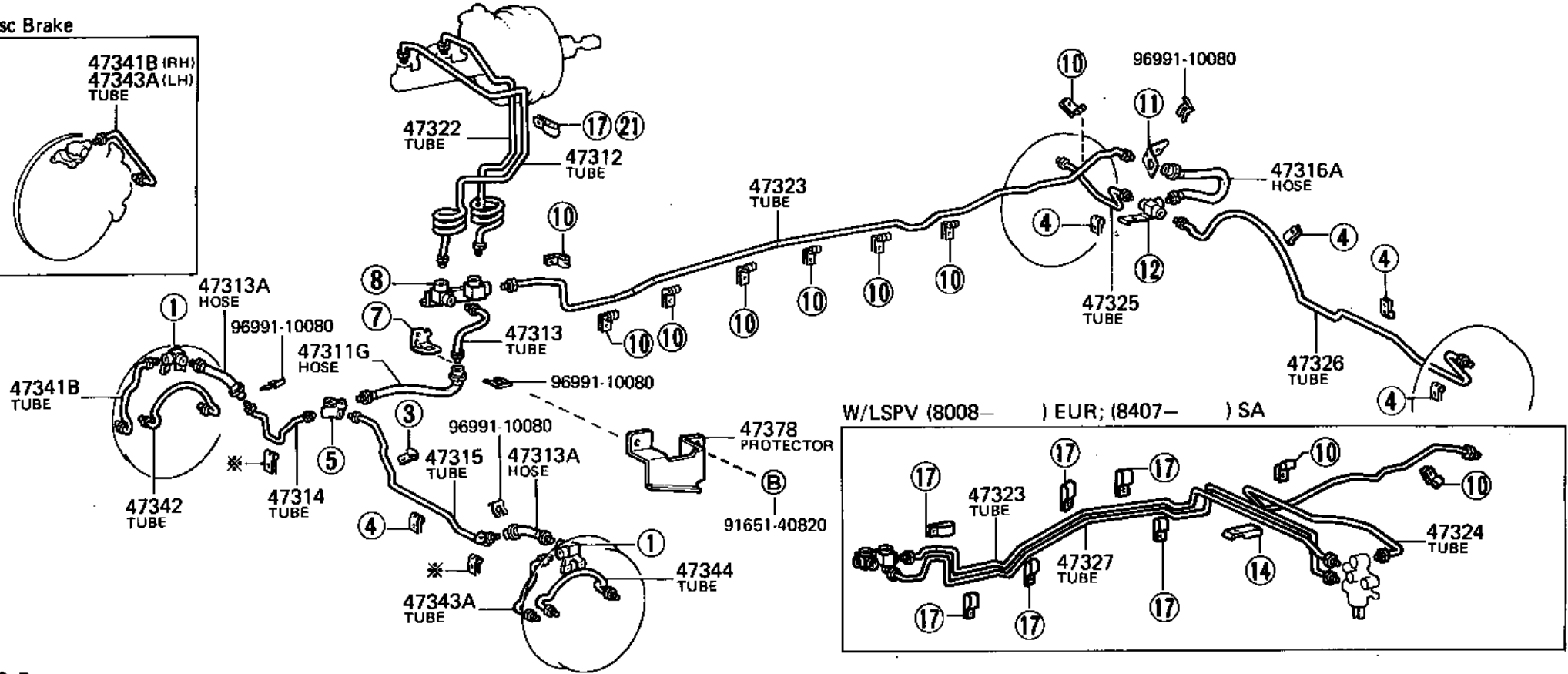
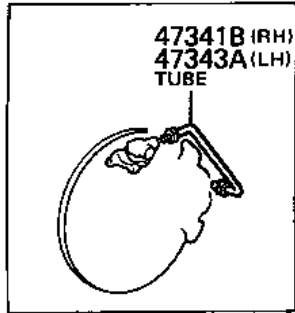


04947

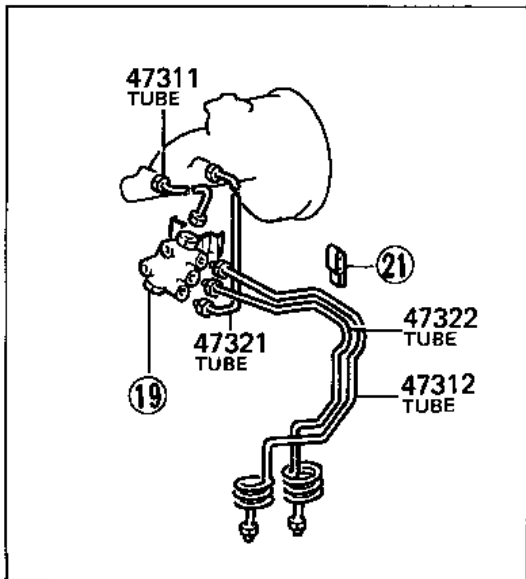




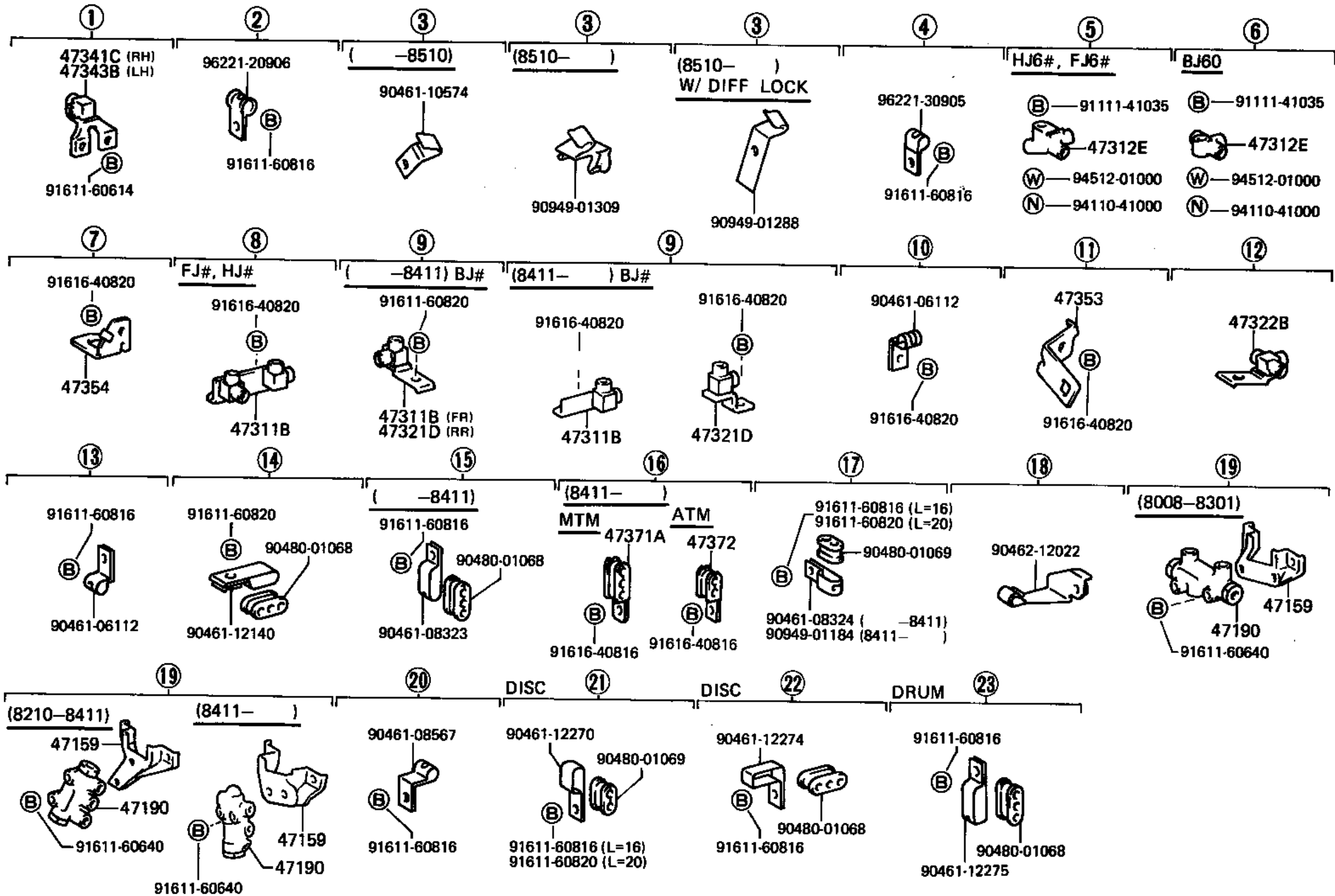
Disc Brake

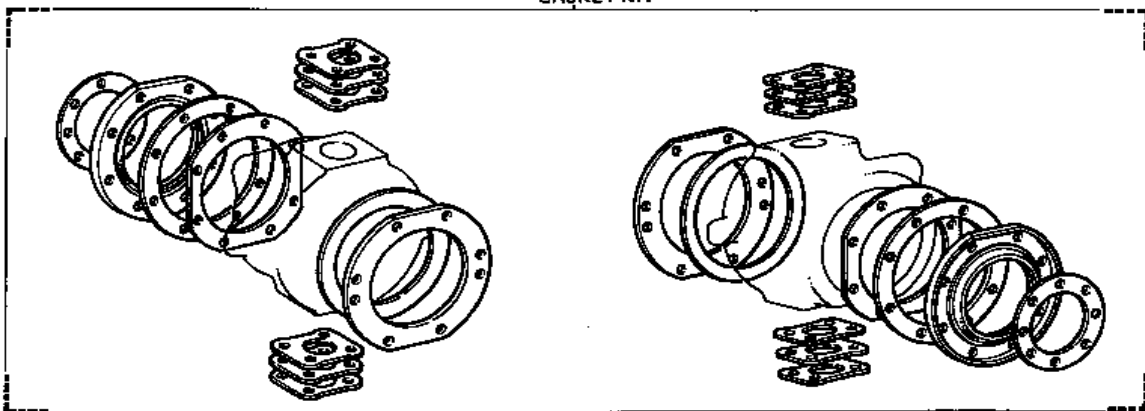
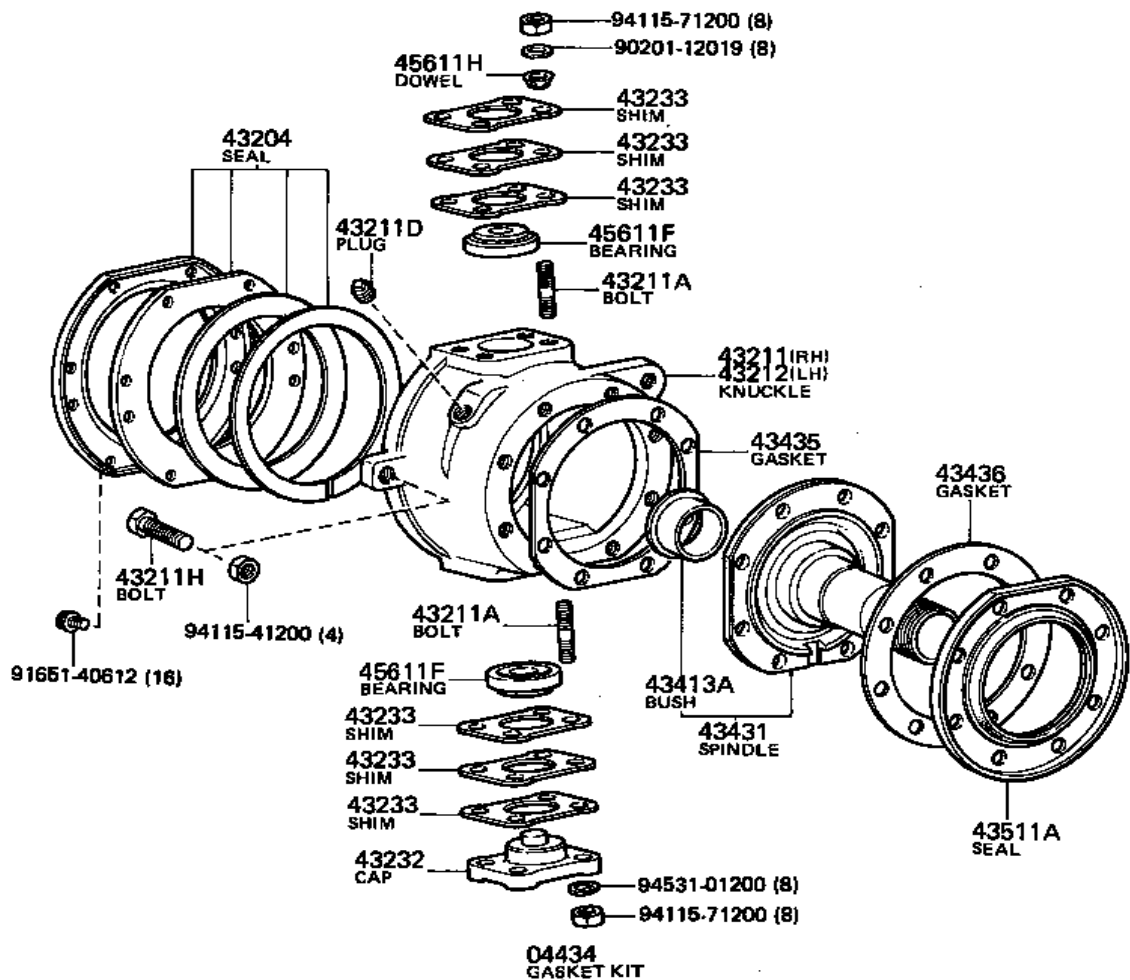


P & B



\* ( -8601 ) ②  
\* (8601- ) ④





91651-40825 (2)

94183-60800

48817A  
RETAINER

48817  
CUSHION

48825  
BRACKET

48817B  
RETAINER

48817  
CUSHION

48817A  
RETAINER

48817C  
COLLAR

48815  
BUSH

48817A  
RETAINER

48817  
CUSHION

48817  
CUSHION

48817  
CUSHION

48817A  
RETAINER

48823  
COVER

91651-40825

90101-08055

48811  
BAR

48815  
BUSH

48823  
COVER

91651-40825

91651-40825 (2)

94183-60800

48825  
BRACKET

48817A  
RETAINER

48817  
CUSHION

48817B  
RETAINER

48817  
CUSHION

48817A  
RETAINER

48817C  
COLLAR

48817A  
RETAINER

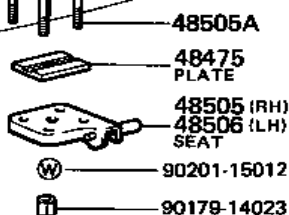
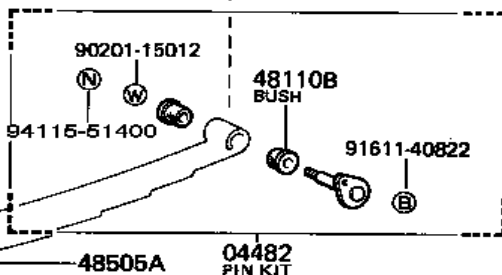
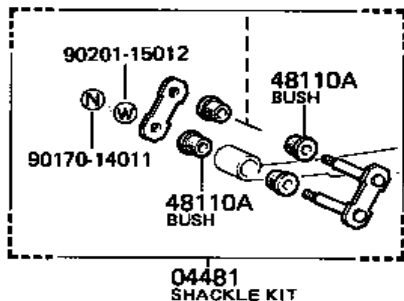
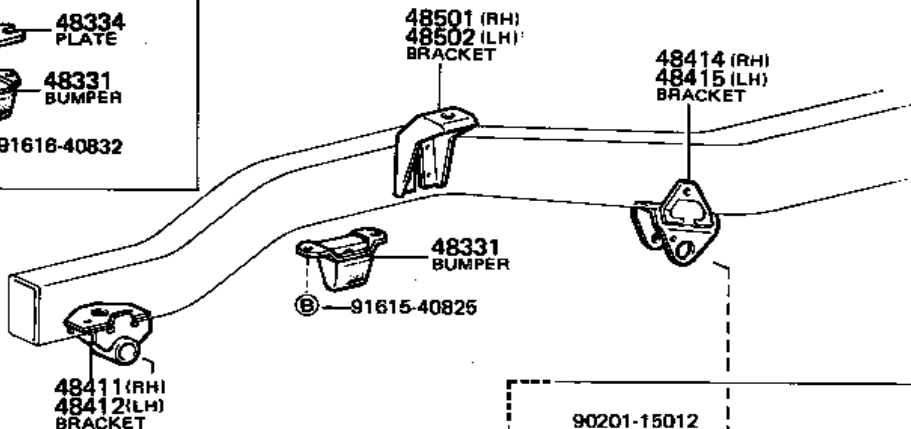
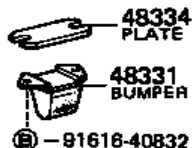
48817  
CUSHION

48817  
CUSHION

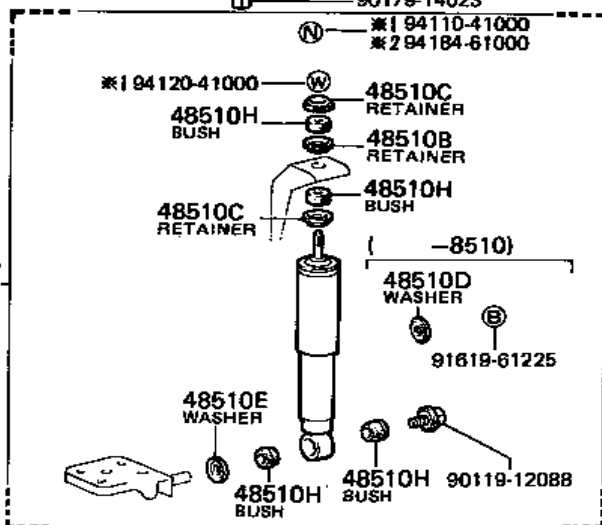
48817A  
RETAINER

90101-08055

( -8110)

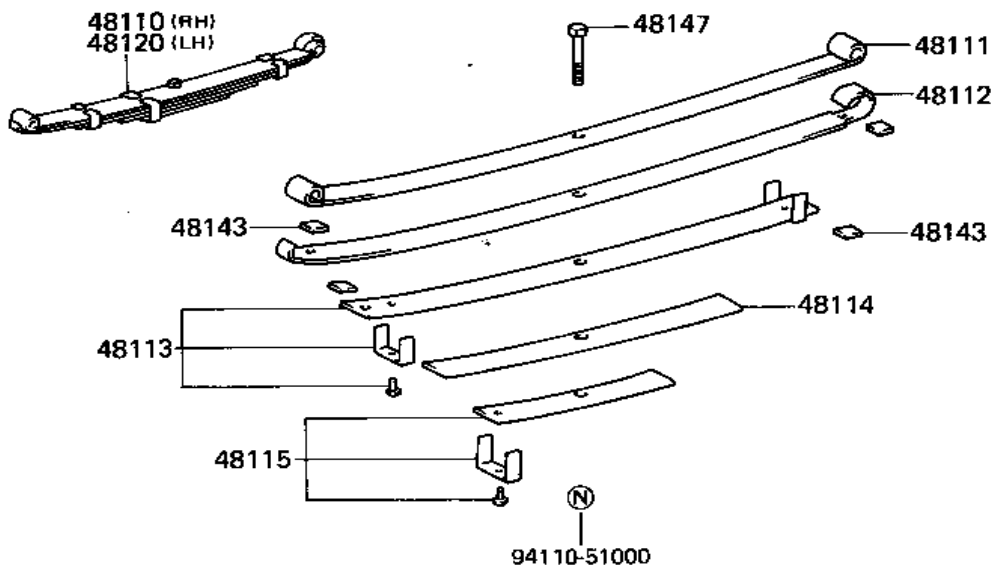


48510 (RH)  
48520 (LH)  
ABSORBER

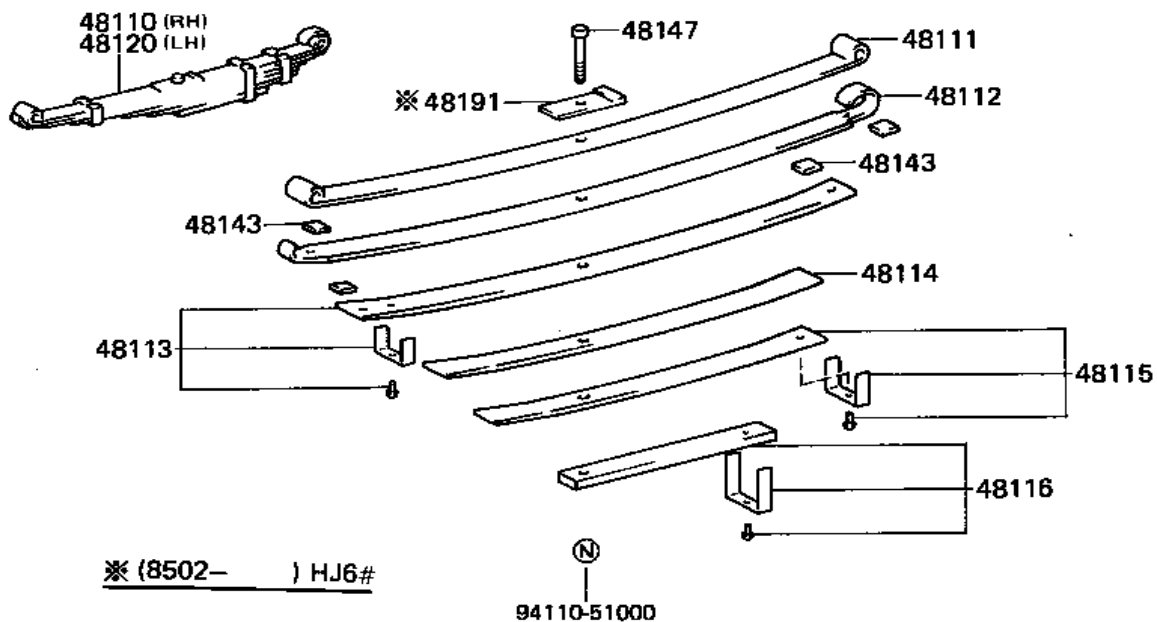


\*1 ( -8510)  
\*2 (8510- )

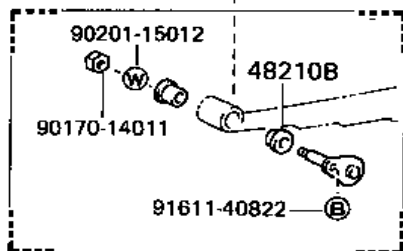
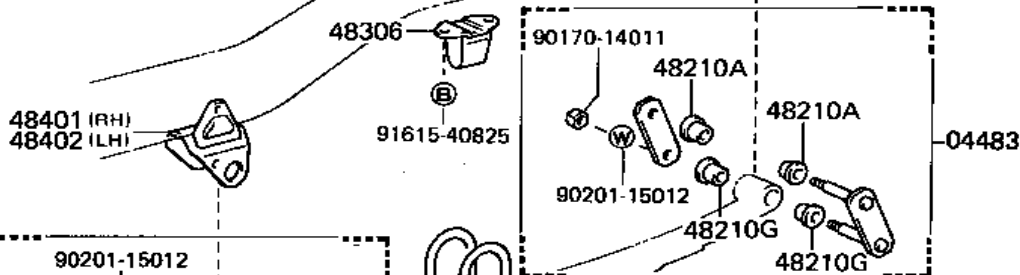
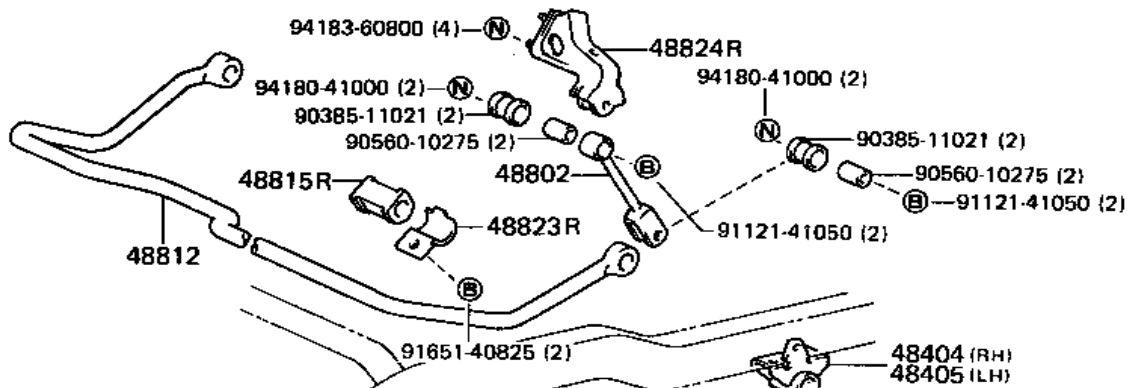
FJ62



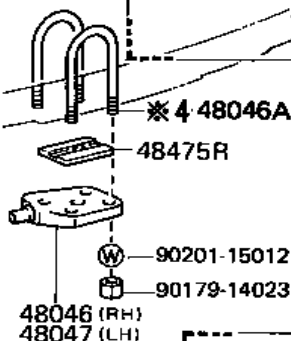
HJ6#



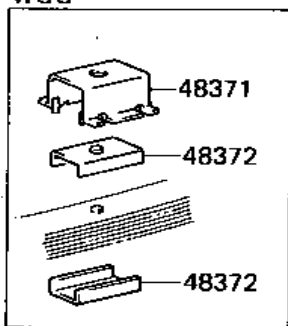




04484

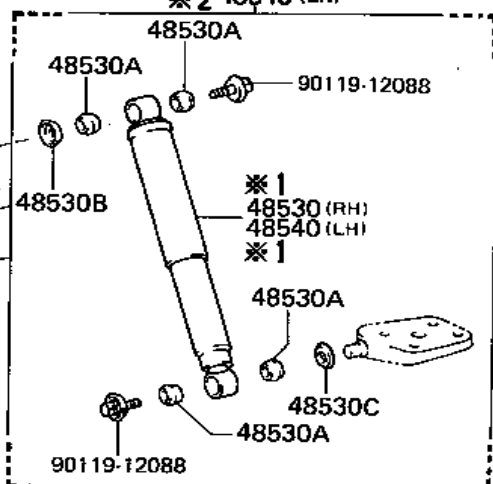


WGG



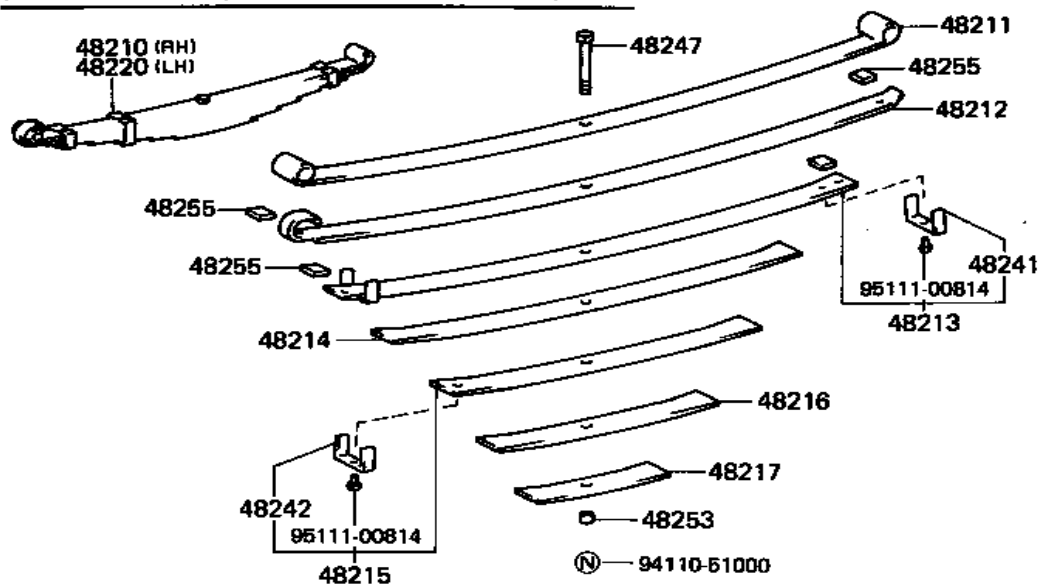
- \* 1 ( -8707 )
- \* 2 (8707 - )
- \* 3 ( -8608 )
- \* 4 (8608 - )

Refer to  
 FIG. 51-51  
 (PNC 51609)



MC D014-D

(8411-8707) WGG, (8708- ) WGG . . GEN, EUR



(8707- ) WGG . . ARL

